

Operating and mounting manual Safety shut off valve pneumatic valve EPV / EPVF

Contents

- 1.0 General Remarks**
 - 1.1 Valve data
 - 1.2 Application
- 2.0 Danger Notices**
 - 2.1 Safety terms
 - 2.2 Safety notice
 - 2.3 Qualified staff
 - 2.4 Unauthorized modification and spare part production
 - 2.5 Unauthorized operation
 - 2.6 Safety information for the use in explosion-prone areas guideline 2014/34/EU
- 3.0 Handling**
 - 3.1 Transport
 - 3.2 Storage
 - 3.3 Handling before mounting
- 4.0 Product Description**
 - 4.1 Function
 - 4.2 Technical data
 - 4.3 Marking
- 5.0 Installation**
 - 5.1 Warning of dangers during installation, operation and maintenance
 - 5.2 Installation
- 6.0 Operation**
 - 6.1 Commissioning
 - 6.2 Shutting down
 - 6.3 Maintenance
 - 6.4 Putting back into operating
- 7.0 Troubleshooting**
 - 7.1 Detection of defects
 - 7.2 Troubleshooting plan
- 8.0 Dismantling of the Valve**
 - 8.1 Replacement of wear parts
- 9.0 Warranty**
- 10.0 Explanations on Codes and Directives**
- 11.0 Drawing**
 - 11.1 Sectional drawing
 - 11.2 Projection
 - 11.3 Control valve
 - 11.4 List of parts
- 12.0 Declaration of Conformity**

1.0 General Remarks

This operating manual includes instructions to assemble and operate the valve in the prescribed and safe way. **Additionally and accordance with the solenoid drive of the control valve (805), the relevant manufacturer's operating instructions (BTA) must be taken into consideration.**

If any difficulties appear that can not be solved by means of the operating manual, further information may be demanded from the manufacturer.

This operating manual is in accordance with the relevant valid EN safety standards and the valid prescriptions and rules of the Federal Republic of Germany. If the solenoids are used abroad of the FRG, the operator and/or the person who is responsible for the plant concept must take care that the valid national rules are met. The manufacturer reserves the right of any technical change and improvement. The use of these operating instructions suppose the qualification of the user according to paragraph 2.3 "qualified staff".

The operating staff must be trained in accordance with the operating instructions. The operating manual must always be available at the location where used.

1.1 Valve data

Manufacturer:

UNI Geräte E. Mangelmann
Elektrotechnische Fabrik GmbH
Holtumsweg 13
D-47652 Weeze
Telefon: +49 (0) 2837/9134-0
Fax: +49 (0) 2837/1444
E-Mail: info@uni-geraete.de
Homepage: www.uni-geraete.de

Designation

Directly functioning, currentless closed, spring safety shut off valve with pneumatic drive.

Test basis:

to DIN EN 264
DIN 32725 liquefied gas in its liquid form

Working pressure

6-4 EPV(F) 0 - 6bar
8-4 EPVF 0 - 8bar
9-4 EPV(F) 0 - 9bar
15-4 EPV(F) 0 - 15bar
20-4 EPV(F) 0 - 20bar
30-4 EPV(F) 0 - 30bar
40-4 EPV(F) 0 - 40bar
45-4 EPV 0 - 45bar

Ambient temperature:

-10°C to + 60°C (263K to 333K)

Medium temperature:

45-4 EPV -10°C to + 60°C (263K to 333K)
EPV -10°C to + 140°C (263K to 413K)
EPVF -10°C to + 200°C (263K to 473K)

Fitting position:

vertical or horizontal drive

Switching cycles:

500 cycles/h

EPV with flange connection measures acc. to DIN EN 1092-2 / ANSI

Flange DN	PN	TÜV report-no.	15	20	25	32	40	50	65	80	Test pressure (*) PT
Flange ANSI			1/2"	3/4"	1"	1 1/4"	1 1/2"	2"	2 1/2"	3"	
40-4 EPV.NÜ..92/93	40	S9/99	X	X	X	-	-	-	-	-	PT 40
45-4 EPV..N...	63	-	-	-	-	-	O	O	-	-	PT 68
30-4 EPV.NÜ..92/93*	40	S9/99	-	-	-	X	-	-	-	-	PT 40
20-4 EPV.NÜ..92/93*	40	S9/99	-	-	-	-	X	-	-	-	PT 25
15-4 EPV.NÜ..92/93*	40	S9/99	-	-	-	-	-	X	-	-	PT 25

Flange DN	PN	TÜV report-no.	15	20	25	32	40	50	65	80	Test pressure (*) PT
Flange ANSI			1/2"	3/4"	1"	1 1/4"	1 1/2"	2"	2 1/2"	3"	
9-4 EPV.NÜ..92/93	40	S9/99	-	-	-	-	-	-	X	-	PT 16
6-4 EPV.NÜ..92/93	40	S9/99	-	-	-	-	-	-	-	X	PT 16

(*) Test pressure to perform leakage test "NO FUNCTION TEST"

X Type test acc. , O Acceptance test certificate 3.2 possible, - not available,

* For liquefied gas in its liquid form according to DIN 32725

EPVF with flange connection measures acc. to DIN EN 1092-2 / ANSI

Flange DN	PN	TÜV report-no.	15	20	25	32	40	50	65	80	Test pressure (*) PT
Flange ANSI			1/2"	3/4"	1"	1 1/4"	1 1/2"	2"	2 1/2"	3"	
40-4 EPVF.NÜ..92/93	40	S10/99	X	X	X	-	-	-	-	-	PT 40
30-4 EPVF.NÜ..92/93	40	S10/99	-	-	-	X	-	-	-	-	PT 40
20-4 EPVF.NÜ..92/93	40	S10/99	-	-	-	-	X	-	-	-	PT 25
15-4 EPVF.NÜ..92/93	40	S10/99	-	-	-	-	-	X	-	-	PT 25
9-4 EPVF.NÜ..92/93	40	S10/99	-	-	-	-	-	-	X	-	PT 16
6-4 EPVF.NÜ..92/93	40	S10/99	-	-	-	-	-	-	-	X	PT 16
8-4 EPVF.NÜ....	40	-	-	-	-	-	-	-	-	O	PT 16

(*) Test pressure to perform leakage test "NO FUNCTION TEST"

X Type test acc., O Acceptance test certificate 3.2 possible, - not available,

- Control medium:** Air, nitrogen -20°C up to + 60°C
Control pressure: Min. –control pressure, second number on the type plate
 Max. –control pressure 4-10bar
Electric connection control valve: Notice instructions on type plate of control valve.

1.2 Application

The UNI Geräte pneumatic valve EPV and EPVF are used as automatic safety shut-off valves to secure, to limit, shut-off and release Liquid gas heating installation and in steam boiler plant.

The valves are suitable for heating oil EL, M (EPV) in accordance with DIN 51603, liquid gas in accordance with DIN 51622 in the liquid phase, other fluids with viscosity of up to 75mm²/s and heating oil S (EPVF).

If used in other cases, the operator must carefully check if construction/design of valve, accessories and materials are suitable for the new application. The range of application is subject to the responsibility of the plant planner. The service life of the valve is 20 years.

2.0 Danger Notices

2.1 Safety terms

The signal terms DANGER, CAUTION und NOTICE are used in this operating manual in case of notices concerning special dangers, or for unusual information, requiring a special marking.



DANGER! means that in case of non-observance there is danger to life and/or considerable damage.



CAUTION! means that in case of non-observance there is danger of injury and/or damage.



NOTICE! means that attention is drawn to technical correlations/connections.

Observance of other, not especially marked notices concerning transport, assembly, operation and maintenance and other data (in the operating manual, product documentation and at the unit itself) is also essential, in order to avoid disturbances that might affect direct or indirect damage to property or injury to persons.

2.2 Safety notice

Non observance of safety instructions can lead to loss of any claim for damages.

Non observance can lead to the following mentioned dangers:

- Failure of important functions of the valve/plant
- Endangering of persons by electrical or mechanical influences.
- Protection against accidental contact for moving parts may not be removed as long as the valve is in operation.
- Leakage of dangerous media (e.g. explosive, toxic, hot) must be removed in the way that there is no danger for persons or environment. Laws and regulations must be observed.

2.3 Qualified staff

These are persons who are familiar with erection, assembly, starting, operation and maintenance of the product and who have special qualifications acc. to their activities and functions, e.g.:

- Instruction and obligation to carry out and meet all regional and in-house orders and requirements.
- Education or instruction according to the safety engineering standards in use and maintenance of adequate safety and working protection equipment.
- Training in first aid.

2.4 Unauthorized modification and spare part production

Modification or changes of the valve are only allowed after agreement of the manufacturer. Original drawings and accessories authorized by the manufacturer are for safety purposes. The use of other parts or unauthorized changes at the valve by third persons may cancel and abolish the manufacturer's liability for resulting consequences.

2.5 Unauthorized operation

Operational reliability of the delivered valve is only guaranteed in case of determined use in accordance to paragraph 1 of the operating manual. **The application limits mentioned on the type sign may on no account be exceeded.**

2.6 Safety information for the use in explosion-prone areas guideline 94/9/EC

- The temperature of the medium must not exceed the respective temperature class, and respectively, the respective maximum permitted medium temperature as per operation guideline.
- If the valve is heated (e.g. heating jacket), care must be taken, that the specified temperature class is kept in the time.
- The valve must be connected to the ground.
In the case most simple this can be realized via pipe screws by means of tooth disc.
Otherwise the connection to the ground must be implemented by other measures e.g. cable links.
- Control valves, electrical and electrical/mechanical drives as well as sensors must undergo a separate conformity check as per ATEX. In doing so the respective safety and explosion protection information in the operation instructions are to taken into special consideration.
- Any modifications whatsoever to the valve are not allowed. The ATEX approval is void with immediate effect if the valve is modified without prior authorisation (even including painting).
- UNI- Geräte GmbH must be consulted before any modifications are made.

Furthermore we point out the guideline 95/C332/06(ATEX 118a), which include the minimum regulations for the improvement of the health-related situation and the safety of the employees, who might be jeopardized by an explosive atmosphere.

3.0 Handling

3.1 Transport

For any transport works, the generally recognised technical rules and standards as well as rules for prevention of accidents must be observed.

In case of transport, storage and stopping, the flange protection caps must be mounted at both valve flanges.

The goods to be transported must be carefully treated. During transport, the valve must be protected against strokes, impacts or vibration. The coat of lacquer may not be damaged. Transport temperature is -20°C up to $+60^{\circ}\text{C}$.

Never transport the valve at pneumatic drive piping/ tubing or components. Transport the valve at provided transport angles (256) from KA120 or ring nut (926) from KA160.

Transport the valve in a box or on a pallet with soft base and it smoothly on even floor. **Never put valve on the piping/ tubing or its components.**

The goods must be checked on completeness and transport damage. See also section 9.0

3.2 Storage

If the valve is not installed immediately after delivery, it must be stored properly.

- Storage temperature -20°C up to $+60^{\circ}\text{C}$, dry and clean.
- The lacquer protects against corrosion in neutral dry atmosphere. Do not damage colour.
- In humid rooms, a drying agent or a heating resp. is necessary because of condensation of water.

Requirements according to DIN 7716 (products made of caoutchouc and rubber) must be met.

3.3 Handling before mounting

- In case of valve with protection caps, they must be removed before being mounted!
- Protect against atmospheric influences such as humidity (otherwise use drying agent).
- Appropriate treatment protects against damage.

4.0 Product Description

The UNI-Geräte pneumatic valves of the series EPV and EPVF are directly controlled currentless closed shut-off valves with fast shut-off function as per DIN EN 264 (liquid gas in liquid gas phase as per DIN 51622) with pneumatic drive.

The drive is actuated by a 3/2 way control valve with solenoid drive, type 10-EVD 2 or 10-EVD 2/2401 resp. The sectional drawing part 11.1 in Fig. 1, 2, 3 and 4 shows the valve construction.

4.1 Function

When opening the 3/2 way control valve (805) the control medium flows via the connection 3 \rightarrow 2 under the drive piston (217). The control medium pushes the drive piston (217) against the pressure spring (503) and opens- via the valve spindle (205)- the valve disk (200) that is pressure impinged. The valve is open.

The valve closes in case of shut-off, failure or interruption of power energy to control valve (805). The compressed control medium in the pneumatic drive is blown-off via the control valve (805).

4.2 Technical data

Opening times: 0,8 – 2s, depends upon nominal width
Closing times: < 1s

Drive types and air consumption in standard litre (NL) per connection at 4 bar control pressure.

Flange DN Flange ANSI	15 1/2"	20 3/4"	25 1"	32 1 1/4"	40 1 1/2"	50 2"	65 2 1/2"	80 3"
40-4 EPV(F)..NÜ..92/93	KA 120 2,5 NL	KA 120 2,5 NL	KA 120 2,5 NL	-	-	-	-	-
45-4 EPV..N...	-	-	-	-	KA 120 2,5 NL	KA 120 2,5 NL	-	-
30-4 EPV(F)..NÜ..92/93	-	-	-	KA 120 2,5 NL				
20-4 EPV(F)..NÜ..92/93	-	-	-	-	KA 120 2,5 NL			
15-4 EPV(F)..NÜ..92/93	-	-	-	-	-	KA 120 2,5 NL	-	-
9-4 EPV(F)..NÜ..92/93	-	-	-	-	-	-	KA 120 2,5 NL	-
6-4 EPV(F)..NÜ..92/93	-	-	-	-	-	-	-	KA 120 2,5 NL
8-4 EPVF..NÜ....	-	-	-	-	-	-	-	KA 160 8 NL

Air consumption for 10 bar, multiply control pressure table values by 2,2.

Max. valve loading by pipe power

The indicated moments may not work longer than 10s.

DN		8	10	15	20	25	32	40	50	65	80	100	125	150
Torsion	Nm	80	35	50	86	125	160	200	250 ¹⁾	325 ¹⁾	400 ¹⁾	-	-	-
Bending	Nm	35	70	105	225	340	475	610	1100	1600	2400	5000	6000	7600

¹⁾ Not valid in case of valves with flanges

Starting torque, pipe screws greased

DN		40	50	65	80	100	125	≥150
Torque	Nm	50	50	50	50	80	160	160

Starting torque, product screws and nuts greased

Screw		M6	M8	M10	M12	M16	M20	M24
Torque	Nm	5	11	22	39	70	110	150

4.3 Marking

The type sign on the pneumatic drive has the following information:

- Fabricator
- Valve type, nominal width, pressure and temperature indication, fitting position
- Year of construction/ production no.
- TÜV report-no.
- Valve class and valve group acc. to DIN EN 264
- CE-sign and no. of relevant location to 2014/68/EU
- Fluid group and test pressure PT to 2014/68/EU
- Pneumatic drive type KA120 or KA160
- Control medium, p_{min} and p_{max} for control medium.

Refer also to section 10.0.

5.0 Installation

5.1 Warning of dangers during installation, operation and maintenance



DANGER!

Safe operation of the valve can only be guaranteed if it is installed, commissioned and maintained by qualified personnel (see point 2.3 "Qualified staff") correctly and in observance of the warnings in this operating manual. Apart from that, the operation safety order and the qualified use of tools and protection equipment must

be guaranteed. The operating instructions for the valve must be observed during all work on or with the valve. Failure to observe these instructions may result in injury or in damage to the valve or other installations.

When the valve is used as a final sealing element, a safety precaution e.g. blanking disc, blind flange, etc., in accordance with the code of practice of the German Technical and Scientific Association for Gas and Water (DVGW) is recommended during all repair work.

5.2 Installation

Apart from the general installation guidelines, the following points should be observed:



NOTICE!

- Remove the flange covers.
- The inside of the valve and the pipeline must be free from foreign particles.
- Observe the installation position in relation to the flow direction, see markings on the valve.
- Centre gaskets between the flanges.
- The connecting flanges must be aligned.
- Ensure that none of the components is strained during installation.
- The valve must not be used as a fixed point; it is supported by the pipework system.
- Protect valves from soiling, particularly during construction work.
- Thermal expansion of the pipework must be equalized using compensators.

The valve can be installed with vertical or horizontal pneumatic drive. The solenoid drive of the control valve should preferably be installed with vertical drive. The control air must be connected at connection 3. We recommend an air filter in front of the control valve. Mesh size 40µm.



NOTICE!

Please observe the control valve operating instructions (BTA).

6.0 Operation



DANGER!

Before commissioning a new installation or before starting up an installation again after repairs or modifications, ensure:

- The proper completion of all installation and assembly work!
- Commissioning only by “qualified staff” (see point 2.3).
- Installation or repair of existing guards and protection equipment.

6.1 Commissioning

- Before commissioning, check the data on material, pressure, temperature and flow direction with the layout plan of the pipework system.
- Depending on the field of application, the local regulations have to be observed, e.g. the operation safety order.
- Residues in the pipework and the valve (dirt, weld beads, etc.) will inevitably result in leaks.
- Leakage inspection of the installed valve.

6.2 Shutting down

- Depending on the field of application, the local regulations have to be observed, e.g. the operation safety order.

6.3 Maintenance

Gas – pneumatic valves have to be checked at regular intervals for proper function and internal leak tightness. The intervals for regular inspections have to be defined by the operator according to the operating conditions. UNI-Geräte recommends an internal visual inspection once a year and an overhaul of the valve after 2 years or after the following number of switching cycles at the latest:

Application temperature	≤ DN 25	≤ DN 80	≤ DN 150	> DN 150
≤ 25°C	150 000	75 000	25 000	20 000
> 25°C	50 000	25 000	25 000	5 000

Repair or maintenance works at the manufacturing company (UNI- Geräte)

- Valves and fittings must be delivered clean and free from substances which are harmful to health or to the environment.

6.4 Putting back into operation

When putting a valve back into operation, ensure that all the necessary steps described in section 5.2 (Installation) and section 6.1 (Commissioning) are repeated.

7.0 Troubleshooting

7.1 Detection of defects



DANGER!

Be sure to observe the safety instructions during troubleshooting.

If the malfunctions cannot be remedied using the following **“Troubleshooting plan (7.2)”** please contact the manufacturer.

In the event of faults in the function or operating behaviour of the valve, check whether the installation work was carried out and completed as described in this operating manual.

Depending on the field of application, the operation safety order must be observed.

Check the data on material, pressure, temperature, voltage and flow direction with the layout plan of the pipework system. In addition, check whether the operating conditions correspond to the technical data in the data sheet or on the rating plate.

7.2 Troubleshooting plan

Malfunction	Possible causes	Remedy
No flow	Pneumatic drive does not open	Switch on control valve (805) Check control pressure Clean filter control line, if necessary
	Working pressure too high	Compare working pressure with the data on the rating plate
	Flange covers were not removed	Remove flange covers
Low flow rate	Clogging in the pipework system	Check pipework system
Valve leaking at seat, no internal tightness	Valve seat gasket (400) or valve seat (100) damaged by external particles	See section 8 or replace valve
No external tightness	Gaskets damaged	See section 8 or replace valve
Valve opens too slowly	Control pressure too low	Check control pressure
Valve closes too slowly	Dirt in control line	Clean sound absorber (600) Clean vent line
	Reduced conductor cross sections	Replace folded control lines
Valve does not close	Control valve does not close	Check, if residual voltage is aligned
	Dirt in control line	Clean sound absorber (600) Clean vent line
	Reduced conductor cross sections	Replace folded control lines
Flange fracture (valve/ pipework)	Screws not tightened uniformly, mating flanges not aligned	Align pipework. Install new valve



NOTICE!

Observe section 10.0 before all installation and repair work!

Observe section 6.4 when putting the valve back into operation!

8.0 Dismantling of the Valve

In addition to the general installation guidelines and the operation safety order, the following points must also be observed:



DANGER!

- Depressurised pipework system
- Cooled medium
- Emptied installation
- Vent pipework systems containing corrosive, inflammable, aggressive or toxic media
- Have dismantling work carried out only by qualified staff (see point 2.3)

8.1 Replacement of wear parts

Shut down the valve as described in section 6.2.



DANGER!

Opening of pneumatic drive

Spring cap is under spring tension. At least, two hex. head screw (900/2) resp. stud (236) with hex. nut (901/2) must be permanently screwed in the spring cap.

Remove two opposing hexagon head screw (900/2) resp. stud (236) with hex. nut (901/2) and replace them by threaded rod, see table.

Drive size	KA 70	KA 120	KA 160	KA 200	KA250
Threaded rod	M6 x 250	M10 x 450	M12 x 450	M16 x 500	M20 x 750

Before loosening of the final two hexagon head screws (900/2) resp. stud (236) with hex. nut (901/2) finger-tightly fasten the nuts at the threaded rod. Loosen and remove the hexagon head screws (900/2) resp. stud (236) with hex. nut (901/2); after that loosen and remove the nuts of the threaded rod.



NOTE!

To start with the spring cap (112) is pressed against the nuts of the threaded rod.

Unscrew the nuts on the threaded rod, so that the pressure spring (503/X) is unloaded.

Remove threaded rods and spring cap (112). De-install spring guide (204), pressure spring (503) and pneumatic cylinder (111). Loosen hex. nut (901/2) or connection piece limit switch mounting (246). Remove spring disk (216), drive piston (217) and sealing piece (226).

45-4 EPV..N...

Loosen hex. nuts (901/1) with lock washer (905/1) and remove the spacer (110). Remove spindle guide complete (212/1#) out of piston guide (221). Take out the piston guide (221) with the balance piston (220+) of the valve housing (100). Completely de-install the piston guide (221) from the balance piston (220+).



NOTE!

The spare parts kit contains a complete balance piston (220+), spindle guide (212/1#) and a complete spring seat (216**). The item numbers marked with (+, #, **) are delivered as a complete unit.

In case of damage to the valve seat, replace the whole pneumatic valve.
If the sealing elements are damaged the spare parts kit must be used.

..-4 EPV / ..-4 EPVF

Release safety bolt (902/2) with SL safety device. Pull valve spindle (205/2) out of spindle guide (212/2).

Loosen hexagon head cap screws (900/1) and remove them with lock washer (905/3). Remove housing flange (108) from spacer (110).

Loosen cylinder screw (910/2). Remove switch actuator (513) from valve spindle (205/1). Loosen and remove hex. nut (901/3). De-install limit switches (803) with limit switch console (512).

Loosen the cylinder screws (910/1) and remove them with lock washer (905/1). Then remove spacer (110).

..-4 EPV (lip ring sealing)

Remove the complete interior part, valve disk (200/1*), disk plate (201), valve disk sealing (400), ball (950), bolt (902/1), split-pin (912), valve spindle (205/1), selaing plate (115), spindle guide (212/1) and console support (249) from valve housing and put onto a clean surface.



NOTE!

The spare parts kit contains a complete valve disk (200/1*) and a complete spring seat (216**).

The item numbers marked with (*, **) are delivered as a complete unit.

In case of damage to the valve seat, replace the whole pneumatic valve.
If the sealing elements are damaged the spare parts kit must be used.

..-4 EPVF (Sealing of expansion bellows)

Remove the complete interior part, valve disk (200/1* respectively 200/2#), disk plate (201), valve disk sealing (400), ball (950), bolt (902/1), split-pin (912), valve spindle (205/1), expansion bellows (504) with expansion bellows piece (507), spring dowel sleeve (943) und torsion protection (227) from the valve housing (100) and put onto a clean surface.

Drive spring dowel sleeve (943) out of the torsion protection (227).



NOTE!

Spare part kit includes a complete vale disk (200/1* resp. 200/2#) and spring disk (216**).

The position numbers marked with a (*, **, #) are supplied as complete unit.

In case of damage to the valve seat, replace the whole pneumatic valve.
If the sealing elements and expansions bellow damaged the spare parts kit are must be used.

All parts marked as spare parts are to be replaced.

Install the valve in reverse order.



NOTICE!

The O-rings (403/X), the flat seals (402/X), the lip rings (404/X) and in the case of a metal-to-metal seal the packing (406) must be replaced prior to installation.



NOTICE!

For special application such as for oxygen use only the approved Lubricants.

Lubricate the pneumatic cylinder (111) within the of the drive piston (217) with lubricant Staburags NBU 30.



CAUTION!

Install wear parts carefully and properly and do not damage them during assembly.

Examine the valve for internal and external leaks and finally carry out a function test.

9.0 Warranty

Scope and period of the warranty is specified in the edition of the “General Terms of Business of the UNI-Geräte E. Mangelmann Elektrotechnische Fabrik GmbH” valid at the time of delivery or else in the purchase agreement.

We warranty that the valve is free from faults in line with the state of the art and for the confirmed field of application.

No warranty claims will be accepted for damage resulting from improper use or failure to observe these operating and installation instructions, the statutory accident prevention regulations, the EN, DIN and VDE standards and other codes and regulations.

Warranty claims will also not be accepted for damage occurring during operation due to operating conditions deviating from those specified in the data sheet or in other agreements.

Justified complaints will be remedied by reworking by us or specialist companies authorized by us.

Claims going beyond the scope of the warranty will not be accepted. The customer shall have no right to the supply of a replacement valve.

Maintenance work, installation of parts from other manufacturers, any modifications to the design and natural wear are not covered by the warranty.

Transport damage must be reported not to us but **without delay** to your responsible goods handling company, the railway company or the shipping agent as otherwise all claims for damages against these companies will be voided.

10.0 Explanation on Codes and Directives

The Council of the European Community has passed common guidelines for the free exchange of goods within the Community; these guidelines determines a minimum of requirements for safety and protection of health. The type test confirms that products correspond to the EC guidelines, i.e. are in conformity with the relevant, especially harmonized standards. The directives DIN EN 264 refer to oil pneumatic valve (mechanical part).

Notes concerning directives DIN EN 264:

The valves must be developed, manufactured and checked under observation of standard DIN EN 264. This is proven by the type test.

Notes on Directive 2014/68/EU (Pressure Equipment Directive, DGRL):

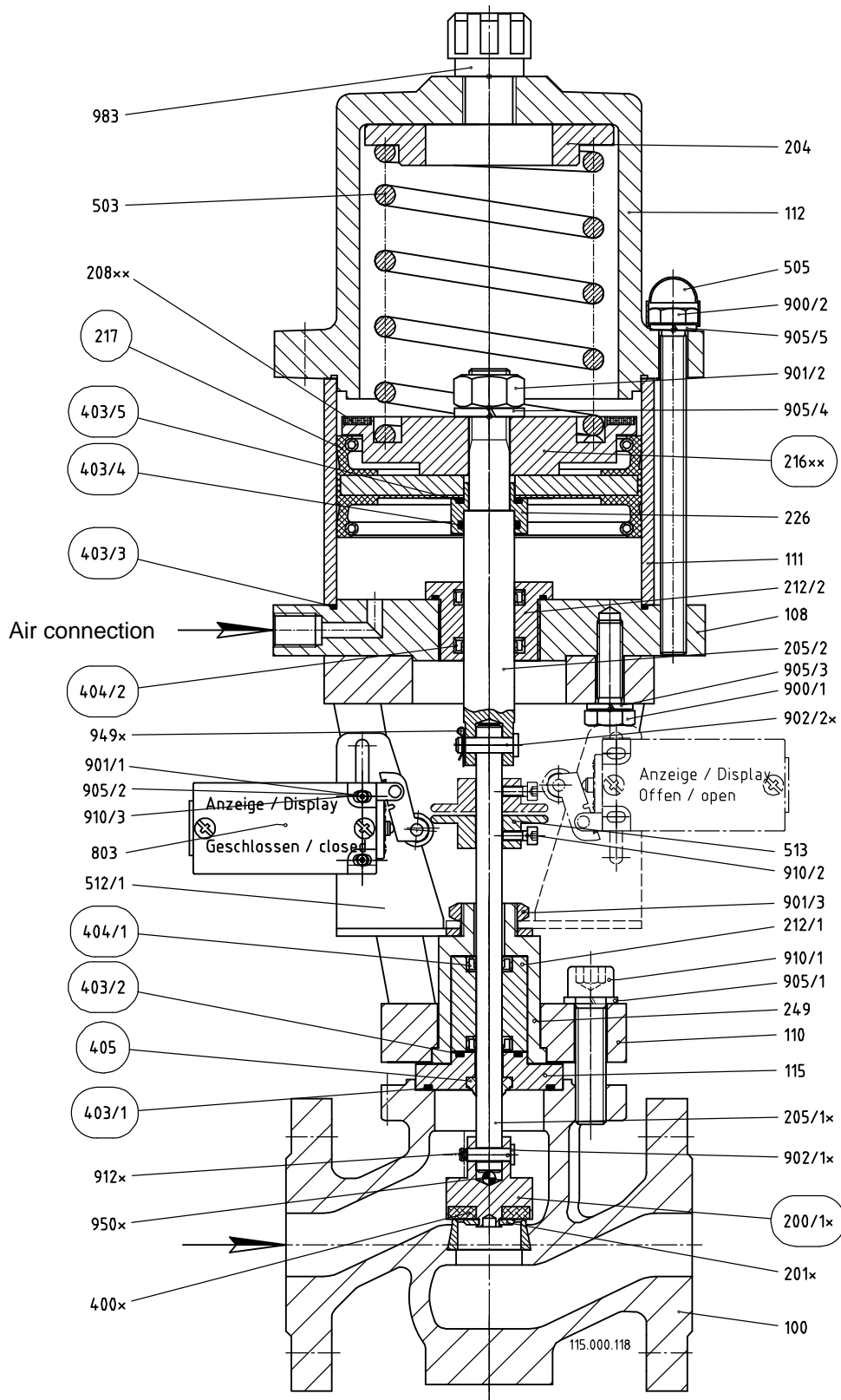
It has been conformed that the quality assurance in design control, manufacture and final acceptance of the manufacturer, UNI-Geräte E. Mangelmann Elektrotechnische Fabrik GmbH, satisfy the requirements of 2014/68/EU Article 14 Module H. The gas pneumatic valves comply with the fundamental requirements of Directive 2014/68/EU. Valves in according to Article 1 Paragraph 2,f,v or Article 4 paragraph 3 are not allowed to have the CE Markt in according to Article 18.

Note concerning ex-guideline 2014/34/EU (explosion guideline ATEX):

The product is not subject to guideline 214/34/EU, since due to the loads occurring during practical operation, there is no effective source of ignition even in case of an error case to be assumed. This also applies to spring loaded components in gas-filled rooms. In case of electric drives, sensors or other electric components the application as per 2014/34/EU is to be checked separately.

11.0 Drawing

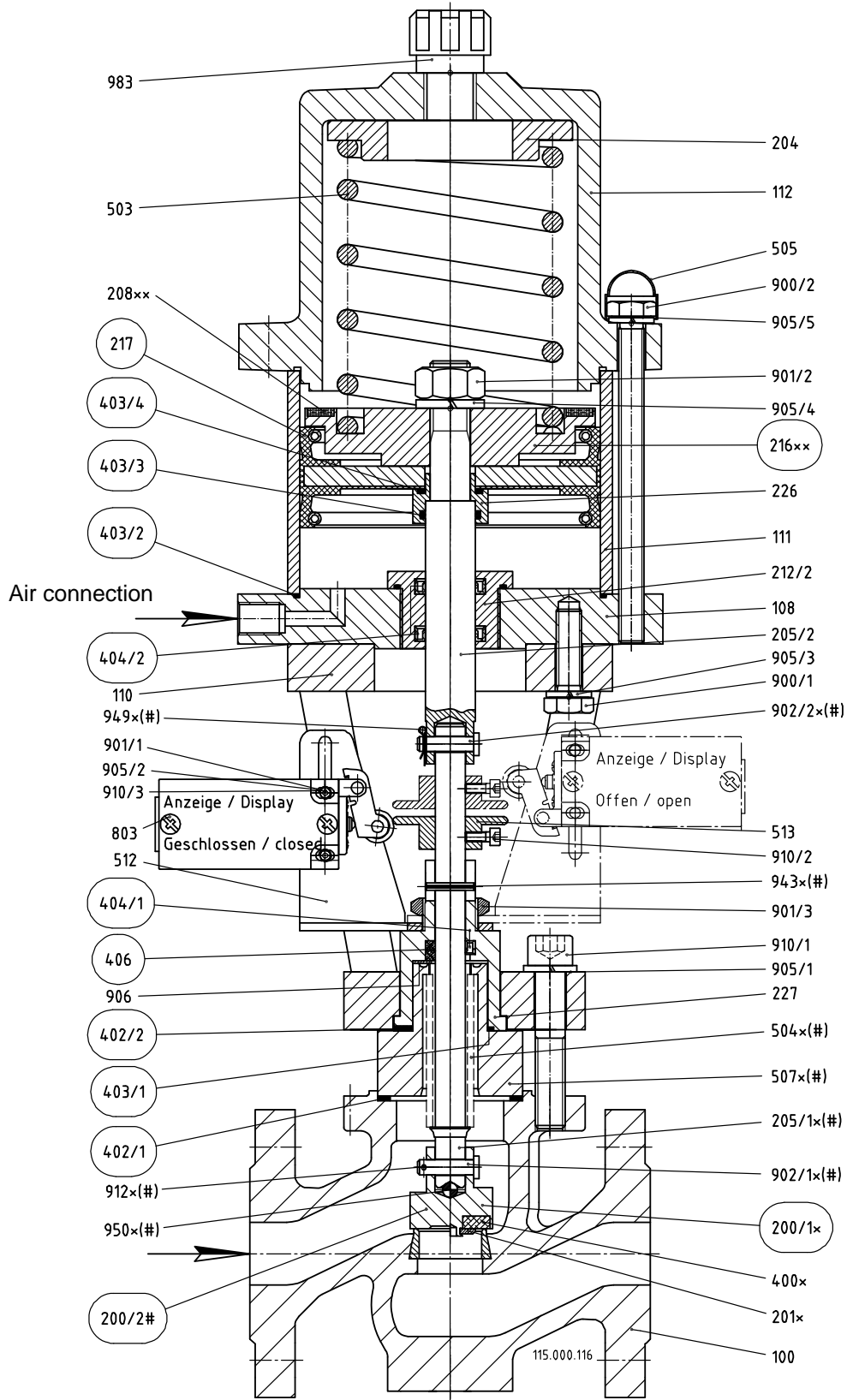
11.1 Fig. 1 EPV sectional drawing



○ = Spare part kit

(* or **) are supplied as a complete unit

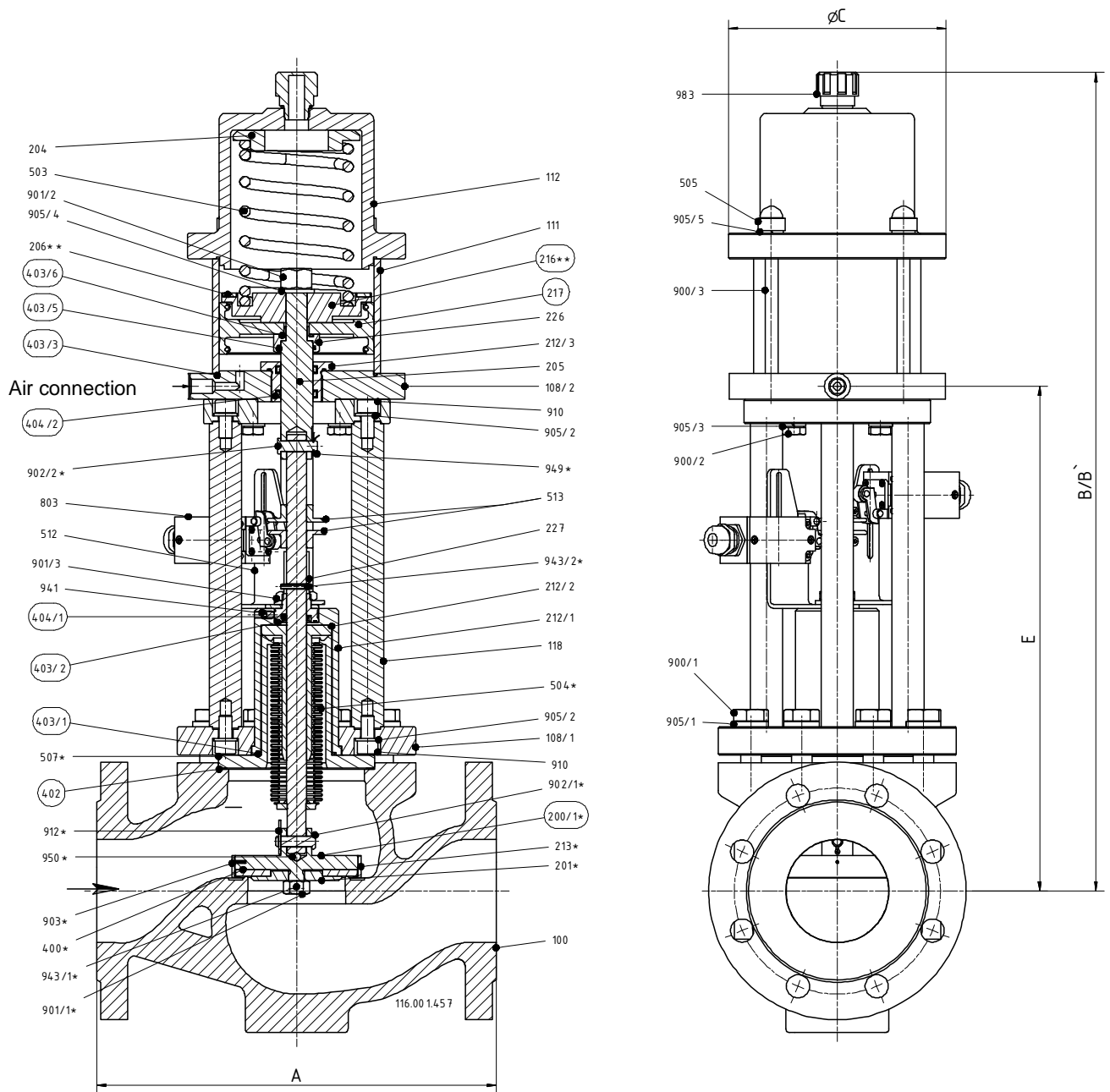
Fig. 2 EPVF sectional drawing



○ = Spare part kit

(* , ** or #) are supplied as a complete unit

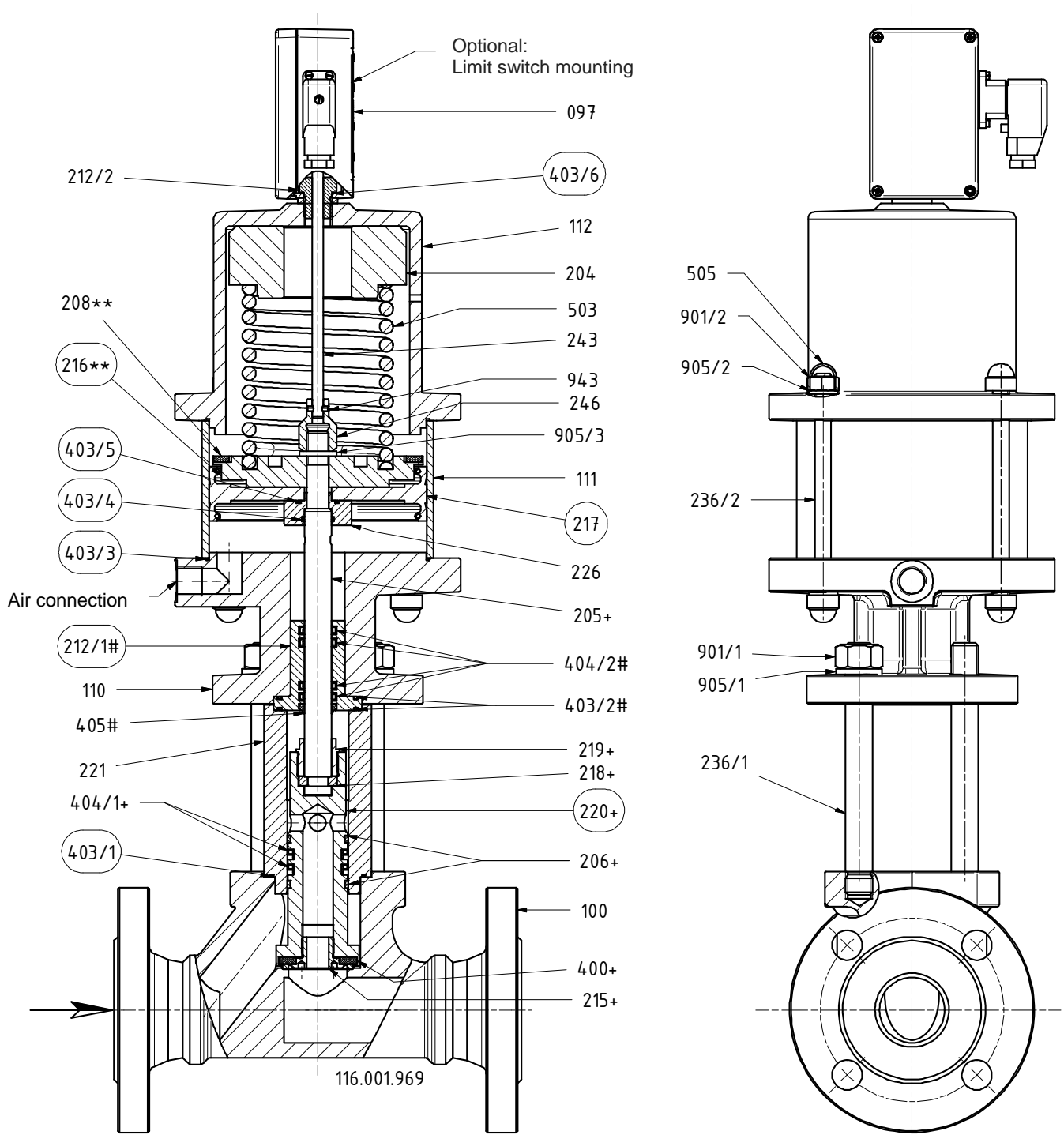
Fig. 3 sectional drawing 6/8-4-EPVF 30NÜ...



= Spare part kit

(* or **) are supplied as a complete unit

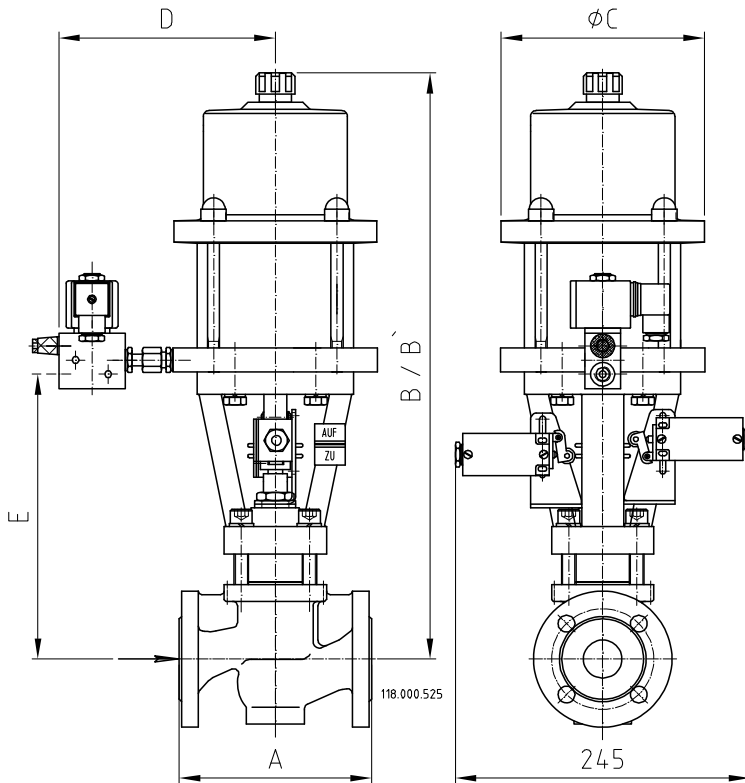
Fig. 4 sectional drawing 45-4 EPV...N.. DN 40 / DN 50



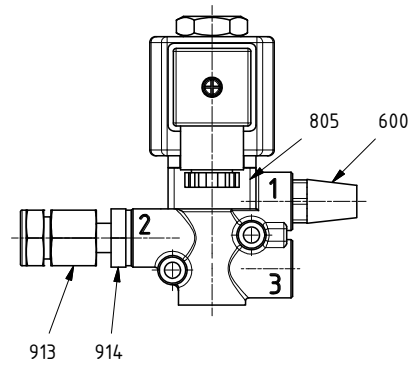
○ = Spare part kit

(+, # or **) are supplied as a complete unit

11.2 Projection EPV / EPVF

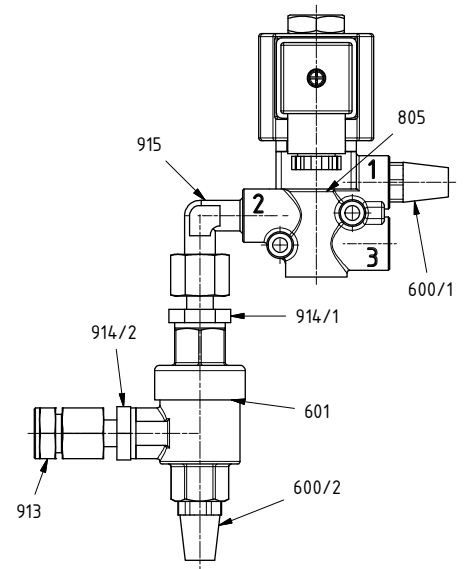
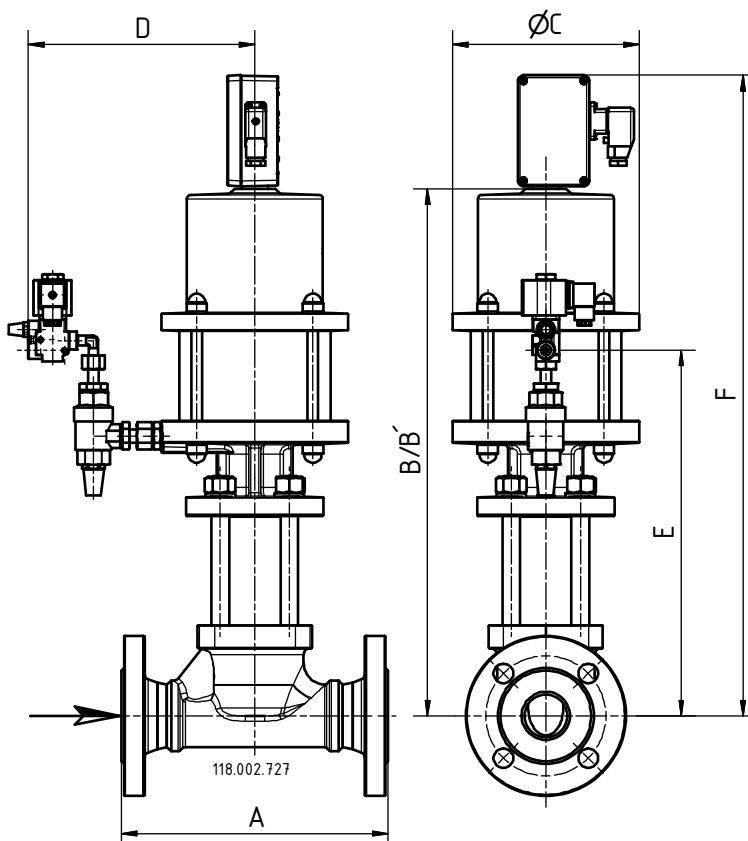


11.3 Control valve



Connection 1 = Ventilation
Connection 2 = Drive
Connection 3 = Control air

11.2 Projection 45-4 EPV



11.4 List of parts

Pos./ Item	Stück/ Qty.	Benennung	Description
097	1	Endschalteranbau	Limit switch mounting
100	1	Ventilgehäuse	Valve chamber/ housing
108	1	Gehäuseflansch	Housing flange
110	1	Distanzstück	Spacer
111	1	Pneumatikzylinder	Pneumatic cylinder
112	1	Federdom	Spring cap
115	1	Dichtplatte	Sealing board
200/1	1	Ventilteller	Valve disk
200/2	1	Ventilteller	Valve disk
201	1	Tellerscheibe	Disk plate
204	1	Federführung	Spring guide pin
205	1	Ventilspindel	Valve spindle
205/1	1	Ventilspindel	Valve spindle
205/2	1	Ventilspindel	Valve spindle
206	2	Führungsring	Guide ring
208	1	Schlagdämpfung	Sound insulation
212/1	1	Spindelführung	Spindle guide
212/2	1	Spindelführung	Spindle guide
215	1	Tellerschraube	Plate screw
216	1	Federteller	Spring disk
217	1	Antriebskolben	Drive piston
218	1	Zweiteiliger Ring	Two-piece ring
219	1	Spindelmutter	Spindle nut
220	1	Ausgleichskolben	Balance piston
221	1	Kolbenführung	Piston guide
226	1	Dichtstück	Sealing piece
227	1	Verdrehschutz	Torsion protection
236/1	4	Stiftschraube	Stud
236/2	4	Stiftschraube	Stud
243	1	Endschalterspindel	Limit switch spindle
400	1	Ventiltellerdichtung	Valve disk sealing
402/1	1	Flachdichtung	Gasket
402/2	1	Flachdichtung	Gasket
402/3	1	Flachdichtung	Basket
403/1	1	O-Ring	O-ring
403/2	1/2	O-Ring	O-ring
403/3	1	O-Ring	O-ring
403/4	1	O-Ring	O-ring
403/5	1	O-Ring	O-ring
403/6	1	O-Ring	O-ring
404/1	1/2	Lippenring	Lip-ring
404/2	2/4	Lippenring	Lip-ring
405	1	Abstreifring	Scraper ring
406	2	Packung	Packing
503	1	Druckfeder	Pressure spring
504	1	Faltenbalg	Expansion bellows
505	4/8	Schutzkappe	Protective cap
507	1	Faltenbalgstück	Expansion bellows piece
512	1/2	Endschalterkonsole	Limit switch console
513	1/2	Endschalterbetätigung	Switch actuator
600	1	Schalldämpfer	Sound absorber
803	1/2	Endschalter	Limit switch
805	1	Steuerventil	Control valve
900/1	4	Sechskantschraube	Hex. head screw
900/2	4	Sechskantschraube	Hex. head screw
901/1	2/4	Sechskantmutter	Hex. nut

Pos./ Item	Stück/ Qty.	Benennung	Description
901/2	1/8	Sechskantmutter	Hex. nut
901/3	1	Sechskantmutter	Hex. nut
902/1	1	Bolzen	Bolt
902/2	1	Bolzen	Bolt
905/1	4	Federring	Lock washer
905/2	2/4/8	Federring	Lock washer
905/3	1/4	Federring	Lock washer
905/4	1	Federring	Lock washer
905/5	4	Federring	Lock washer
906	1	Scheibe	Washer
910/1	4	Zylinderschraube	Cylinder screw
910/2	1/2	Zylinderschraube	Cylinder screw
910/3	2/4	Zylinderschraube	Cylinder screw
912	1	Splint	Split-pin
913	1	Gerade Einschraubverschraubung	Linear threaded screw connection
914	1	Gerader Aufsteckstutzen	Linear put on adapter
943	1	Spannstift	Spring dowel sleeve
949	1	SL-Sicherung	SL-locking
950	1	Kugel	Ball
983	1	Entlüftungsstopfen	Exhaust plug

Spare parts

Type	DN	Fig.	Spare parts
..-4-EPV 5N – 30N..	DN 15 – DN 80	Fig. 1	Spare part kit
..-4-EPVF 5N – 25N..	DN 15 – DN 65	Fig. 2	Spare part kit
6/8-4-EPVF 30NÜ...	DN 80	Fig. 3	Spare part kit
45-4 EPV..N...	DN 40 – DN 50	Fig. 4	Spare part kit

Dimension

Series	DN	A	ANSI	B	B'	ØC	D	E	F
..-4 EPV...NÜ..92/93	15	130	1/2"	485	685	170	180	230	-
	20	150	3/4"	485	685	170	180	230	-
	25	160	1"	485	685	170	180	230	-
	32	180	1 1/4"	492	692	170	180	237	-
	40	200	1 1/2"	492	692	170	180	237	-
	50	230	2"	500	700	170	180	245	-
	65	290	2 1/2"	510	710	170	180	255	-
..-4 EPVF..NÜ..92/93	15	130	1/2"	496	696	170	180	242	-
	20	150	3/4"	496	696	170	180	242	-
	25	160	1"	496	696	170	180	242	-
	32	180	1 1/4"	503	703	170	180	250	-
	40	200	1 1/2"	503	703	170	180	250	-
	50	230	2"	511	711	170	180	257	-
	65	290	2 1/2"	521	721	170	180	267	-
6-4 EPVF 30NÜ..	80	310	3"	635	835	170	180	392	-
8-4 EPVF 30NÜ..	80	310	3"	668	890	209	238	465	-
45-4 EPV...N..	40	260	1 1/2"	515	606	170	235	400	642
	50	300	2"	620	711	170	256	412	722

A = Dimension at DIN (resp. flanges ANSI and dimension DIN or flanges and dimension at DIN)

B' = Dimension for removing the pneumatic drive

12.0 Declaration of Conformity

UNI-Geräte E. Mangelmann
Elektrotechnische Fabrik GmbH
Holtumsweg 13
D – 47652 Weeze



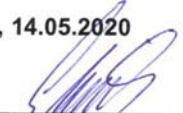
EU Konformitätserklärung Declaration of Conformity

Produkt <i>Product</i>	Sicherheitsabsperrentil <i>Safety shut-off valve</i>
Handelsbezeichnung <i>Trade Mark</i>	Pneumatikventil <i>Pneumatic Valve</i>
Baureihe / <i>Series</i>	45-4 EPV... 15/20N...; 40-4 EPV(F)..5/7/10NÜ...; 30-4 EPV(F)..12NÜ...; 20-4 EPV(F)..15NÜ...; 15-4 EPV(F) ..20NÜ...; 9-4 EPV(F) .. 25NÜ...; 8-4 EPVF ..30NÜ...; 6-4 EPV(F) .. 30NÜ...;
Nennweiten / <i>Size</i>	DN 15 - DN 80
Fluidgruppe <i>Fluid group</i>	Brennbare Flüssigkeiten, FL. Gr.1 <i>Flammable Liquids, FL. Gr.1</i>
EU - Richtlinien <i>EU - Directives</i>	2014/68/EU Druckgeräterichtlinie / <i>Pressure Equipment Directive</i>
Konformitätsbewertungsverfahren <i>Conformity Assessment Procedure</i>	Modul H 2014/68/EU
Angewandte technische Spezifikation <i>Applied Technical Specification</i>	DIN EN 264 AD 2000, EN 12516, EN 12266
Typprüfung <i>Type Examination</i>	DIN EN 264 TÜV Rheinland, Köln ²⁾
Überwachungsverfahren <i>Surveillance Procedure</i>	CE-0062-PED-H-UGM 001-20-DEU 2014/68/EU Modul H Bureau Veritas Services SAS 8 Cours du Triangle 92800 PUTEAUX – LA DEFENSE Zertifizierungsstelle / <i>Notified Body 0062</i>
Kennzeichnung/ <i>Marking</i>	CE - 0062 ¹⁾

Das Unternehmen UNI Geräte E. Mangelmann Elektrotechnische Fabrik GmbH erklärt in alleiniger Verantwortung, dass die o.a. Baureihe die grundsätzlichen Anforderungen der aufgeführten Richtlinien und Normen erfüllt.

UNI Geräte E. Mangelmann Elektrotechnische Fabrik GmbH confirms under the sole responsibility of the manufacturer, that the basic requirements of the above specified directives and standards are fulfilled.

Weeze, 14.05.2020



Geschäftsführer
Norbert Schneider
Managing Director

¹⁾ PS*DN ≤ 2000, siehe Diagramm 8, fallen nicht in den Anwendungsbereich der 2014/68/EU
PS*DN ≤ 2000, see diagram 8, are not included in the EC-Directive 2014/68/EU

²⁾ Gilt nur für mit x gekennzeichnete Ventile siehe Betriebsanleitung
Only for valves marked with x, refer to the operating instructions