

# Operating and mounting manual

## Safety shut off valve gas – solenoid valve

### EVSA

## Contents

### 1.0 General Remarks

- 1.1 Valve data
- 1.2 Application

### 2.0 Danger Notices

- 2.1 Safety terms
- 2.2 Safety notice
- 2.3 Qualified staff
- 2.4 Unauthorized modification and spare part production
- 2.5 Unauthorized operation
- 2.6 Safety information for the use in explosion-prone areas guideline 2014/34/EU
- 2.7 Safety information regarding guideline 2014/68/EU attachment I

### 3.0 Handling

- 3.1 Transport
- 3.2 Storage
- 3.3 Handling before mounting

### 4.0 Product Description

- 4.1 Function
- 4.2 Technical data
- 4.3 Marking

### 5.0 Installation

- 5.1 Warning of dangers during installation, operation and maintenance
- 5.2 Installation

### 6.0 Operation

- 6.1 Commissioning
- 6.2 Shutting down
- 6.3 Maintenance
- 6.4 Putting back into operating

### 7.0 Troubleshooting

- 7.1 Detection of defects
- 7.2 Troubleshooting plan

### 8.0 Dismantling of the Valve

- 8.1 Replacement of wear parts

### 9.0 Warranty

### 10.0 Explanations on Codes and Directives

### 11.0 Sectional Drawing

- 11.1 Flange design / thread design
- 11.2 List of parts

### 12.0 Declaration of Conformity

## 1.0 General Remarks

This operating manual includes instructions to assemble and operate the valve in the prescribed and safe way. **Additionally, the adequate operation instructions of each special solenoid drive must be considered.**

Series MG...	220.100.038
Series MG...X	220.100.040
Series MG...Xme	220.100.039

If any difficulties appear that can not be solved by means of the operating manual, further information may be demanded from the manufacturer.

This operating manual is in accordance with the relevant valid EN safety standards and the valid prescriptions and rules of the Federal Republic of Germany.

If the solenoids are used abroad of the FRG, the operator and/or the person who is responsible for the plant concept must take care that the valid national rules are met.

The manufacturer reserves the right of any technical change and improvement.

The use of these operating instructions suppose the qualification of the user according to paragraph 2.3 "qualified staff".

The operating staff must be trained in accordance with the operating instructions. The operating manual must always be available at the location where used.

### 1.1 Valve data

#### Manufacturer:

UNI Geräte E. Mangelmann  
Elektrotechnische Fabrik GmbH  
Holtumsweg 13  
D-47652 Weeze  
Telefon: +49 (0) 2837/9134-0  
Fax: +49 (0) 2837/1444  
E-Mail: [info@uni-geraete.de](mailto:info@uni-geraete.de)  
Homepage: [www.uni-geraete.de](http://www.uni-geraete.de)

#### Designation

Directly functioning, currentless closed, spring safety shut off valve with magnet drive.

<b>Type test acc.</b>	to EU/2016/426
<b>DIN EN 161</b>	Kl. A, Gr. 2
<b>DIN EN 16678</b>	Gr. A

<b>Working pressure:</b>	4-EVSA	0 - 4bar
	10-EVSA	0 - 10bar
	16-EVSA	0 - 16bar
	25-EVSA	0 - 25bar
	40-EVSA	0 - 40bar

**Medium temperature:** -20°C to + 60°C

<b>Working pressure:</b>	16-EVSA 10N(H)	0 – 16bar
	40-EVSA 5NH	0 – 40bar
	40-EVSA 10NH	0 – 40bar

**Medium temperature:** -20°C to + 60°C  
(optional -30°C/-20°C to + 140°C)

**Ambient temperature:** -20°C to + 60°C

**Fitting position:** vertical or horizontal drive

**Switching cycles:** see operating instructions solenoid drive

**Threaded connection dimension at DIN ISO 228-1**

Connection G	Prod. Id. CE-0085	1/4 (2)	3/8 (3)	1/2 (5)	3/4 (7)	1 (10)	1 1/4 (12)	1 1/2 (15)	2 (20)	Test Pressure (*) PT
4-EVSA	AR0256	X	X	X	X	X	X	X	X	PT10
10-EVSA	AR0256	-	X	X	X	X	X	X	X	PT16
40-EVSA	AR0256	-	-	X	-	-	-	-	-	PT40

(\*) Test pressure to perform leakage test "No FUNCTION TEST"

X Type test to EU/2016/426, O Acceptance test certificate 3.2 possible, - not available,

**Flange connection measures acc. to DIN EN 1092-2 / ANSI**

Flange DN ANSI	PN	Prod. Id. CE-0085	15 (5N) 1/2"	20 (7N) 3/4"	25 (10N) 1"	32 (12N) 1 1/4"	40 (15N) 1 1/2"	50 (20N) 2"	65 (25N) 2 1/2"	80 (30N) 3"	100 4"	125 -	150 6"	Test pressure (*) PT
4-EVSA	16	AR0256	X	X	X	X	X	X	X	X	X	X	X	PT10
10-EVSA	16	AR0256	X	X	X	X	X	X	X	X	X	X	X	PT16
16-EVSA	16	-	-	-	O	-	O	-	-	O	-	-	-	PT25
25-EVSA	40	AR0256	-	-	-	-	-	X	-	-	-	-	-	PT40
40-EVSA	40	AR0256	X	-	X	-	-	-	O	-	-	-	-	PT40

(\*) Test pressure to perform leakage test "No FUNCTION TEST"

X Type test to EU/2016/426, O Acceptance test certificate 3.2 possible, - not available,

**Voltage:** VDC 12 – 440 (–15% to +10%)

VAC 24 – 500 (–15% to +10%)

**Protection type:** IP54 or IP65

**Frequency:** 40 – 60 Hz

**Power:** 10 – 4000W

Details to the electrical data can be found on the type sign and the adequate operation instruction of the solenoid drives.

## 1.2 Application

The UNI Geräte Gas – Solenoid valves EVSA are used as automatic safety shut-off valves for protection, limitation, shut-off and release of gas and air supply at main stops or in front of gas burners e.g. to DIN EN 746-2, DIN EN 12952-8.

The valves are suitable for gases of the 1<sup>st</sup>, 2<sup>nd</sup> and 3<sup>rd</sup> gas families to G260 and for neutral gases and as a variant with material design for aggressive gases such as e.g. biogas, sewage plant gas or dump gas to G262.

If used in other cases, the operator must carefully check if construction/design of valve, accessories and materials are suitable for the new application. The range of application is subject to the responsibility of the plant planner. The service life of the valve is 20 years.

## 2.0 Danger Notices

### 2.1 Safety terms

The signal terms DANGER, CAUTION und NOTICE are used in this operating manual in case of notices concerning special dangers, or for unusual information, requiring a special marking.



**DANGER!** means that in case of non-observance there is danger to life and/or considerable damage.



**CAUTION!** means that in case of non-observance there is danger of injury and/or damage.



**NOTICE!** means that attention is drawn to technical correlations/connections.

Observance of other, not especially marked notices concerning transport, assembly, operation and maintenance and other data (in the operating manual, product documentation and at the unit itself) is also essential, in order to avoid disturbances that might affect direct or indirect damage to property or injury to persons.

## 2.2 Safety notice

Non observance of safety instructions can lead to loss of any claim for damages.

Non observance can lead to the following mentioned dangers:

- Failure of important functions of the valve/plant
- Endangering of persons by electrical or mechanical influences.
- Protection against accidental contact for moving parts may not be removed as long as the valve is in operation.
- Leakage of dangerous media (e.g. explosive, toxic, hot) must be removed in the way that there is no danger for persons or environment. Laws and regulations must be observed.

## 2.3 Qualified staff

These are persons who are familiar with erection, assembly, starting, operation and maintenance of the product and who have special qualifications acc. to their activities and functions, e.g.:

- Instruction and obligation to carry out and meet all regional and in-house orders and requirements.
- Education or instruction according to the safety engineering standards in use and maintenance of adequate safety and working protection equipment.
- Training in first aid.

## 2.4 Unauthorized modification and spare part production

Modification or changes of the valve are only allowed after agreement of the manufacturer. Original drawings and accessories authorized by the manufacturer are for safety purposes. The use of other parts or unauthorized changes at the valve by third persons may cancel and abolish the manufacturer's liability for resulting consequences.

## 2.5 Unauthorized operation

Operational reliability of the delivered valve is only guaranteed in case of determined use in accordance to paragraph 1 of the operating manual. **The application limits mentioned on the type sign may on no account be exceeded.**

## 2.6 Safety information for the use in explosion-prone areas guideline 2014/34/EU

- The temperature of the medium must not exceed the respective temperature class, and respectively, the respective maximum permitted medium temperature as per operation guideline.
- If the valve is heated (e.g. heating jacket), care must be taken, that the specified temperature class is kept in the time.
- The valve must be connected to the ground.  
In the case most simple this can be realized via pipe screws by means of tooth disc.  
Otherwise the connection to the ground must be implemented by other measures e.g. cable links.
- Control valves, electrical and electrical/mechanical drives as well as sensors must undergo a separate conformity check as per ATEX. In doing so the respective safety and explosion protection information in the operation instructions are to taken into special consideration.
- Any modifications whatsoever to the valve are not allowed. The ATEX approval is void with immediate effect if the valve is modified without prior authorisation (even including painting).

- UNI- Geräte GmbH must be consulted before any modifications are made.

Furthermore we point out the guideline ATEX 118a, which include the minimum regulations for the improvement of the health-related situation and the safety of the employees, who might be jeopardized by an explosive atmosphere.

## 2.7 Safety information regarding guideline 2014/68/EU attachment I



### **Danger!**

UNI valves are not an accessory with a safety function as defined in the PED 2014/68/EU Article 2 (4) and Article 4 (1) (d) by category IV Use or classify!

## 3.0 Handling

### 3.1 Transport

For any transport works, the generally recognised technical rules and standards as well as rules for prevention of accidents must be observed.

In case of transport, storage and stopping, protection caps must be attached to the sides of the valve.

The goods to be transported must be carefully treated. During transport, the valve must be protected against strokes, impacts or vibration. The coat of lacquer may not be damaged. Transport temperature is  $-20^{\circ}\text{C}$  up to  $+60^{\circ}\text{C}$ .

**Never transport the valve at screwed cable glands, appliance plugs or add-on units.** The valve can be transported at ring nuts, flange borings or by means of a belt under the solenoid drive.

Transport the valve in a case or on a pallet with smooth base and put it softly on plain floor. **Never put the valve on attachment parts.**

The goods must be checked on completeness and transport damage. See also section 9.0

### 3.2 Storage

If the valve is not installed immediately after delivery, it must be stored properly.

- Storage temperature  $-20^{\circ}\text{C}$  up to  $+60^{\circ}\text{C}$ , dry and clean.
- The lacquer protects against corrosion in neutral dry atmosphere. Do not damage colour.
- In humid rooms, a drying agent or a heating resp. is necessary because of condensation of water.

Requirements according to DIN 7716 (products made of caoutchouc and rubber) must be met.

### 3.3 Handling before mounting

- In case of valve with protection caps, they must be removed before being mounted!
- Protect against atmospheric influences such as humidity.
- Appropriate treatment protects against damage.

## 4.0 Product Description

The UNI-Geräte gas – solenoid valve EVSA is a directly controlled, currentless closed safety shut-off valve acc. to DIN EN 16678 and DIN EN 161 with solenoid drive.

Sectional drawing 11.1 Fig. 1 to Fig. 7 shows the valve construction.

### 4.1 Function

By switching on the solenoid drive, the solenoid core (207) is drawn against the upper part (106). The pressure spring (503) is pressed and the balance piston (220) opens the valve cross section. The valve is open.

The valve closes by switching off, interruption or failure of power energy to solenoid drive. Due to the press of the pressure spring (503) the balance piston closes (220). The valve is closed at 15% of nominal voltage.

#### 4.2 Technical data

Opening times: 0,3 – 0,7s

Closing times: < 1s

##### Solenoid –drive types MG...

Connection G	1/4 (2)	3/8 (3)	1/2 (5)	3/4 (7)	1 (10)	1 1/4 (12)	1 1/2 (15)	2 (20)
4-EVSA	005-3	008-2	008-2	008-2	010	012	014	016
10-EVSA	-	008-2	008-2	008-2	010A5	012A5	014A5	016A5
40-EVSA	-	-	012	-	-	-	-	-

Flange DN Flange ANSI	15 1/2"	20 3/4"	25 1"	32 1 1/4"	40 1 1/2"	50 2"	65 2 1/2"	80 3"	100 4"	125 -	150 6"
4-EVSA	008-2	008-2	010	012	014	016	018	019A5	018A1	018A1	019A2
10-EVSA	010	010	010	012A5	014A5	016A5	019A5	018A1	018A1	019A1	019A2
16-EVSA	-	-	018	-	018	-	-	018A1	-	-	-
25-EVSA	-	-	-	-	-	019A5	-	-	-	-	-
40-EVSA	018	-	018	-	-	-	019A3.1	-	-	-	-

Drive types with "A" consist of pickup and holding winding

##### Max. valve loading by pipe power

The indicated moments may not work longer than 10s.

DN	8	10	15	20	25	32	40	50	65	80	100	125	150
<b>Torsion Nm</b>	20	35	50	85	125	160	200	250 <sup>1)</sup>	325 <sup>1)</sup>	400 <sup>1)</sup>	-	-	-
<b>Bending Nm</b>	35	70	105	225	340	475	610	1100	1600	2400	5000	6000	7600

<sup>1)</sup> Not valid in case of valves with flanges

##### Torque, pipe screws greased

DN	8	10	15	20	25	32	40	50	65	80	100	125	150
<b>Torque Nm</b>	20	30	30	30	30	50	50	50	50	50	80	160	160

##### Torque, product screws and nuts greased

Screw	M6	M8	M10	M12	M16	M20	M24
<b>Torque Nm</b>	5	11	22	39	70	110	150

#### 4.3 Marking

The type sign on the solenoid drive has the following information:

- Fabricator
- Valve type, nominal width, pressure and temperature indication, fitting position
- Year of construction/ production no.
- Product ID No. to EU/2016/426
- Valve class and valve group acc. to DIN EN 161, DIN EN 16678
- CE-sign and no. of relevant location to 2014/68/EU
- Fluid group and test pressure PT to 2014/68/EU
- Solenoid drive type
- Electr. performance
- Voltage
- Frequency
- Protection type

When using solenoid drives for ex-protection zone 1 refer to information in the valid operation instruction.

Refer also to section 10.0.

## 5.0 Installation

### 5.1 Warning of dangers during installation, operation and maintenance



#### **DANGER!**

Safe operation of the valve can only be guaranteed if it is installed, commissioned and maintained by qualified personnel (see point 2.3 “Qualified staff”) correctly and in observance of the warnings in this operating manual. Apart from that, the operation safety order and the qualified use of tools and protection equipment must be guaranteed. The operating instructions for the valve must be observed during all work on or with the valve. Failure to observe these instructions may result in injury or in damage to the valve or other installations.

When the valve is used as a final sealing element, a safety precaution e.g. blanking disc, blind flange, etc., in accordance with the code of practice of the German Technical and Scientific Association for Gas and Water (DVGW) is recommended during all repair work.

### 5.2 Installation

Apart from the general installation guidelines, the following points should be observed:



#### **NOTICE!**

- Remove protective caps.
- The inside of the valve and the pipeline must be free from foreign particles.
- Observe the installation position in relation to the flow direction, see markings on the valve.
- Centre gaskets between the flanges.
- The connecting flanges must be aligned.
- Ensure that none of the components is strained during installation.
- The valve must not be used as a fixed point; it is supported by the pipework system.
- Protect valves from soiling, particularly during construction work.
- Thermal expansion of the pipework must be equalized using compensators.

In accordance with DIN EN 16678 and DIN EN 161, a dirt trap must be installed upline of any safety shut-off device. The mesh size of the screen must be smaller than 1.5 mm and not allow a test mandrel of 1 mm diameter to pass. Where two safety shut-off devices are combined to form a group, one dirt trap installed upstream of the first valve is sufficient. The dirt trap must be installed not too far upline of the first valve. The UNI-Geräte dirt traps of the SFR Series are approved for use together with the gas valves in accordance with EU/2016/426.



#### **NOTICE!**

Please observe the solenoid drive operating instructions.

## 6.0 Operation



#### **DANGER!**

Before commissioning a new installation or before starting up an installation again after repairs or modifications, ensure:

- The proper completion of all installation and assembly work!
- Commissioning only by “qualified staff” (see point 2.3).
- Installation or repair of existing guards and protection equipment.

### 6.1 Commissioning

- Before commissioning, check the data on material, pressure, temperature and flow direction with the layout plan of the pipework system.
- Depending on the field of application, the local regulations have to be observed, e.g. the operation safety order.
- Residues in the pipework and the valve (dirt, weld beads, etc.) will inevitably result in leaks.
- Leakage inspection of the installed valve.

## 6.2 Shutting down

- Depending on the field of application, the local regulations have to be observed, e.g. the operation safety order.

## 6.3 Maintenance

Solenoid valves have to be checked at regular intervals for proper function and internal leak tightness. The intervals for regular inspections have to be defined by the operator according to the operating conditions. UNI-Geräte recommends an internal visual inspection once a year and an overhaul of the valve after 2 years or after the following number of switching cycles at the latest:

Application temperature	DN ≤ 25	≤ DN 80	≤ DN 150	> DN 150
≤ 25°C	150 000	75 000	25 000	20 000
> 25°C	50 000	25 000	25 000	5 000

## 6.4 Putting back into operation

When putting a valve back into operation, ensure that all the necessary steps described in section 5.2 (Installation) and section 6.1 (Commissioning) are repeated.

### Repair or maintenance works at the manufacturing company (UNI- Geräte)



#### DANGER!

Valves and fittings must be delivered clean and free from substances which are harmful to health or to the environment.

## 7.0 Troubleshooting

### 7.1 Detection of defects



#### DANGER!

Be sure to observe the safety instructions during troubleshooting.

If the malfunctions cannot be remedied using the following **“Troubleshooting plan (7.2)”** please contact the manufacturer.

In the event of faults in the function or operating behaviour of the valve, check whether the installation work was carried out and completed as described in this operating manual.

Depending on the field of application, the operation safety order must be observed.

Check the data on material, pressure, temperature, voltage and flow direction with the layout plan of the pipework system. In addition, check whether the operating conditions correspond to the technical data in the data sheet or on the rating plate.

### 7.2 Troubleshooting plan

Malfunction	Possible causes	Remedy
No flow	Valve does not open	Switch on solenoid drive (800) Check operating voltage
	Working pressure too high	Compare working pressure with the data on the rating plate
	Protective caps were not removed	Remove protective caps
Low flow rate	Contaminated strainer	Filter clean/exchange
	Clogging in the pipework system	Check pipework system
Valve leaking at seat, no internal tightness	Valve seat gasket (400) or valve seat (100) damaged by external particles	See section 8 or replace valve
No external tightness	Gaskets damaged	See section 8 or replace valve
Valve does not close	Connected voltage too high	Check whether there is residual voltage, see section 4.1



Malfunction	Possible causes	Remedy
Flange fracture (valve/ pipework)	Screws not tightened uniformly, mating flanges not aligned	Align pipework. Install new valve



**NOTICE!**

Observe section 9.0 before all installation and repair work!

Observe section 6.4 when putting the valve back into operation!

## 8.0 Dismantling of the Valve

In addition to the general installation guidelines and the operation safety order, the following points must also be observed:



**DANGER!**

- Depressurised pipework system
- Cooled medium
- Emptied installation
- Vent pipework systems containing corrosive, inflammable, aggressive or toxic media
- Have dismantling work carried out only by qualified staff (see point 2.3)

### 8.1 Replacement of wear parts

Shut down the valve as described in section 6.2.

Switch off and dismantle the solenoid drive as described in the operating manual of the solenoid drive.



**DANGER!**

**After continuous operation, the solenoid drive may be hot! Danger of burns!**

During the visual inspection, pay attention to the following points:

1. Damage to the valve seat (100).
2. Damage to the valve disc sealing (400)
3. Wear of the guide rings (206)

In case of damage to the valve seat, replace the whole magnetic valve.

If the sealing element becomes damaged (only applies to flange version Fig.1 – 2; thread version Fig. 6 (1" – 2")), the spare parts kit should be used.

### Flanged version

**Fig. 1 4/10 EVSA...; 16-EVSA 30N(H)...**

Loosen hex. bolts (900/1) and remove housing flange (108). Remove upper part of housing assembly (106). Remove bolt (902/1) together with SL retainer (949) or split pin (912) and place solenoid core (207) together with spring bolt (210/1) and pressure spring (503/1) aside on a clean surface. Then remove balance piston (220/1) together with piston guide (221/1) from valve chamber (100) and separate the balance piston from the piston guide.

**Fig. 2 16/25/40 EVSA**

Loosen setscrew (941/1) and unscrew upper part of housing assembly (106) from the housing cylinder (109). Remove bolt (902/1) together with SL retainer (949) or split pin (912) and place solenoid core (207) together with spring bolt (210/1) and pressure spring (503/1) aside on a clean surface. Loosen hex. head screw (900/1) and remove housing flange (108) with housing cylinder (109). Then remove balance piston (220/1) together with piston guide (221/1) from valve chamber (100) and separate the balance piston from the piston guide.

**Fig. 3 10-EVSA 5NH**

**Fig. 4 10-EVSA 10NH**

**Fig. 5 40 EVSA 25NH**

Replace the complete solenoid valve

### Threaded version

**Fig. 6 4-EVSA 2 – 7 (1/4" – 3/4") ; 10-EVSA 3 - 7 (3/8" – 3/4")**

Replace the complete solenoid valve

**Fig. 6 4/10-EVSA 10 – 20 (1" – 2")**

Unscrew upper part of housing assembly (106) from piston guide (221/1). Remove bolt (902/1) together with SL retainer (949) or split pin (912) and place solenoid core (207) together with spring bolt (210/1) and pressure spring (503/1) aside on a clean surface. Then unscrew balance piston (220/1) together with piston guide (221/1) from valve chamber (100) and separate the balance piston from the piston guide.

**Fig. 7 40 EVSA 5**

Replace the complete solenoid valve



#### NOTICE!

Before assembly, replace O-rings (403/x) and lip-rings (404/x).



#### DANGER!

For special application such as for oxygen use only the approved lubricants and appropriate sealing materials (BAM- approval).

Assemble the valve in the reverse order to the dismantling.



#### CAUTION!

Install wear parts carefully and properly and do not damage them during assembly.

Examine the valve for internal and external leaks in accordance with DIN EN 12266, 16678 and finally carry out a function test.

## 9.0 Warranty

Scope and period of the warranty is specified in the edition of the "General Terms of Business of the UNI-Geräte E. Mangelmann Elektrotechnische Fabrik GmbH" valid at the time of delivery or else in the purchase agreement.

We warranty that the valve is free from faults in line with the state of the art and for the confirmed field of application.

No warranty claims will be accepted for damage resulting from improper use or failure to observe these operating and installation instructions, the statutory accident prevention regulations, the EN, DIN and VDE standards and other codes and regulations.

Warranty claims will also not be accepted for damage occurring during operation due to operating conditions deviating from those specified in the data sheet or in other agreements.

Justified complaints will be remedied by reworking by us or specialist companies authorised by us.

Claims going beyond the scope of the warranty will not be accepted. The customer shall have no right to the supply of a replacement valve.

Maintenance work, installation of parts from other manufacturers, any modifications to the design and natural wear are not covered by the warranty.

Transport damage must be reported not to us but **without delay** to your responsible goods handling company, the railway company or the shipping agent as otherwise all claims for damages against these companies will be voided.

## 10.0 Explanations on Codes and Directives

The Commission of the European Union has laid down common directives resp. regulations for the free trading of goods within the Union specifying minimum requirements for safety and health protection. The CE symbol confirms that products comply with the EU directives resp. regulations, i.e. in conformity with the relevant, in particular harmonised standards. Regulation EU/2016/426 and directive 2014/68/EU are of relevance for the gas solenoid valve (mechanical part).

### Notes on Regulation EU/2016/426 (Gas Appliances Regulation GAR):

The valves have been developed, manufactured and tested in accordance with harmonised standard DIN EN 161 and DIN EN 16678 and comply with the relevant requirements of the Union Directive EU/2016/426. Unless otherwise stated separately, this has been confirmed by a type test.

### Notes on Directive 2014/68/EU (Pressure Equipment Directive, DGRL):

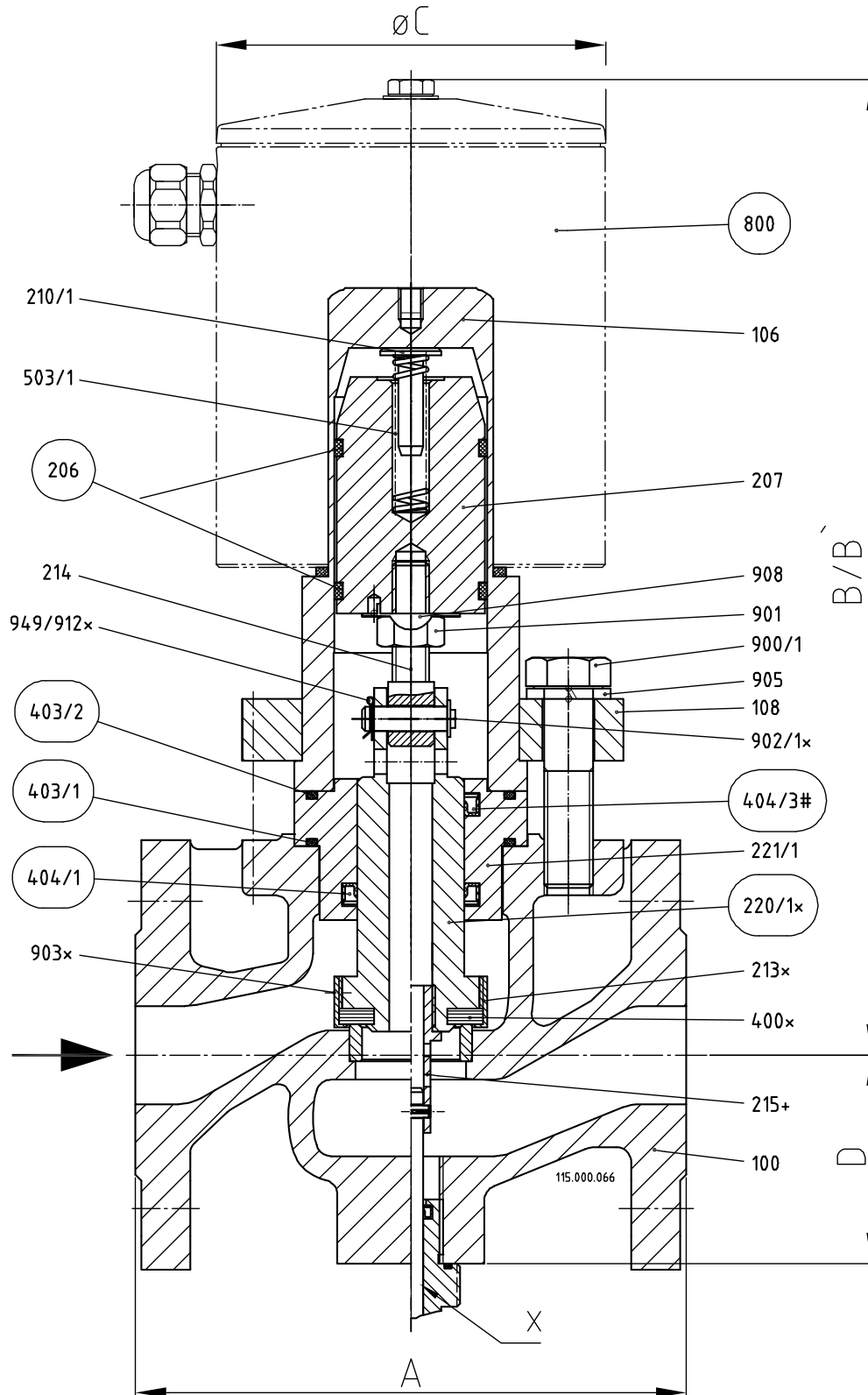
It has been conformed that the quality assurance in design control, manufacture and final acceptance of the manufacturer, UNI-Geräte E. Mangelmann Elektrotechnische Fabrik GmbH, satisfy the requirements of 2014/68/EU Article 14 Module H. The gas solenoid valves comply with the fundamental requirements of Directive 2014/68/EU. Valves in according to Article 1 Paragraph 2,f,v or Article 4 paragraph 3 are not allowed to have the CE Mark in according to Article 18.

### Note concerning ex-guideline 2014/34/EU (explosion guideline ATEX):

The product is not subject to guideline 2014/34/EU, since due to the loads occurring during practical operation, there is no effective source of ignition even in case of an error case to be assumed. This also applies to spring loaded components in gas-filled rooms. In case of electric drives, sensors or other electric components the application as per 2014/34/EU is to be checked separately.

### 11.0 Sectional Drawing

11.1 Fig. 1 Flange design: 4/10-EVSA...; 16-EVSA 30N(H)...



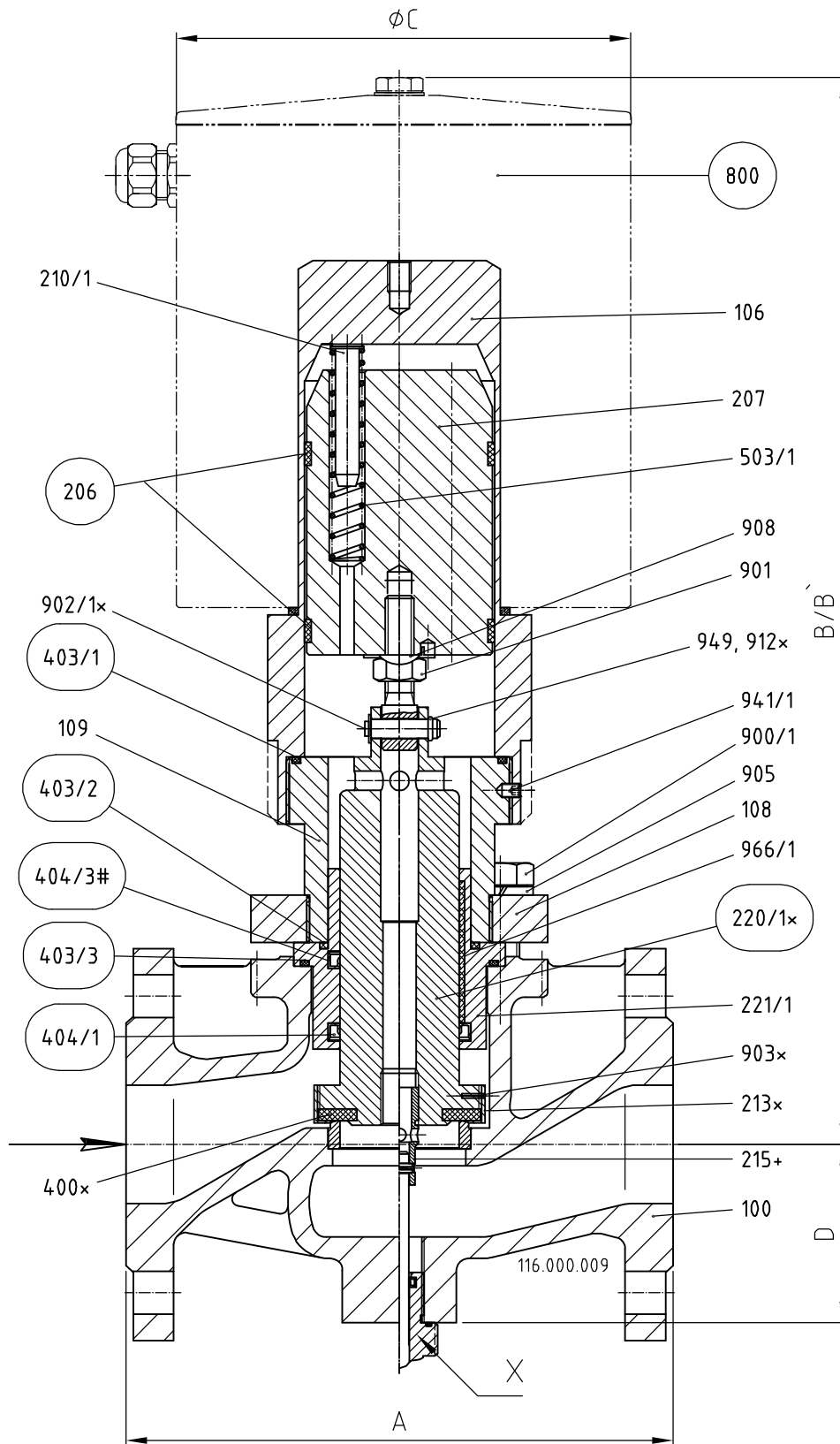
= Spare part kit

**X** = Option limit switch mounting

(...#) only by back pressure

(...x) supplied as a complete unit

Fig. 2 Flange design: 16/25-EVSA



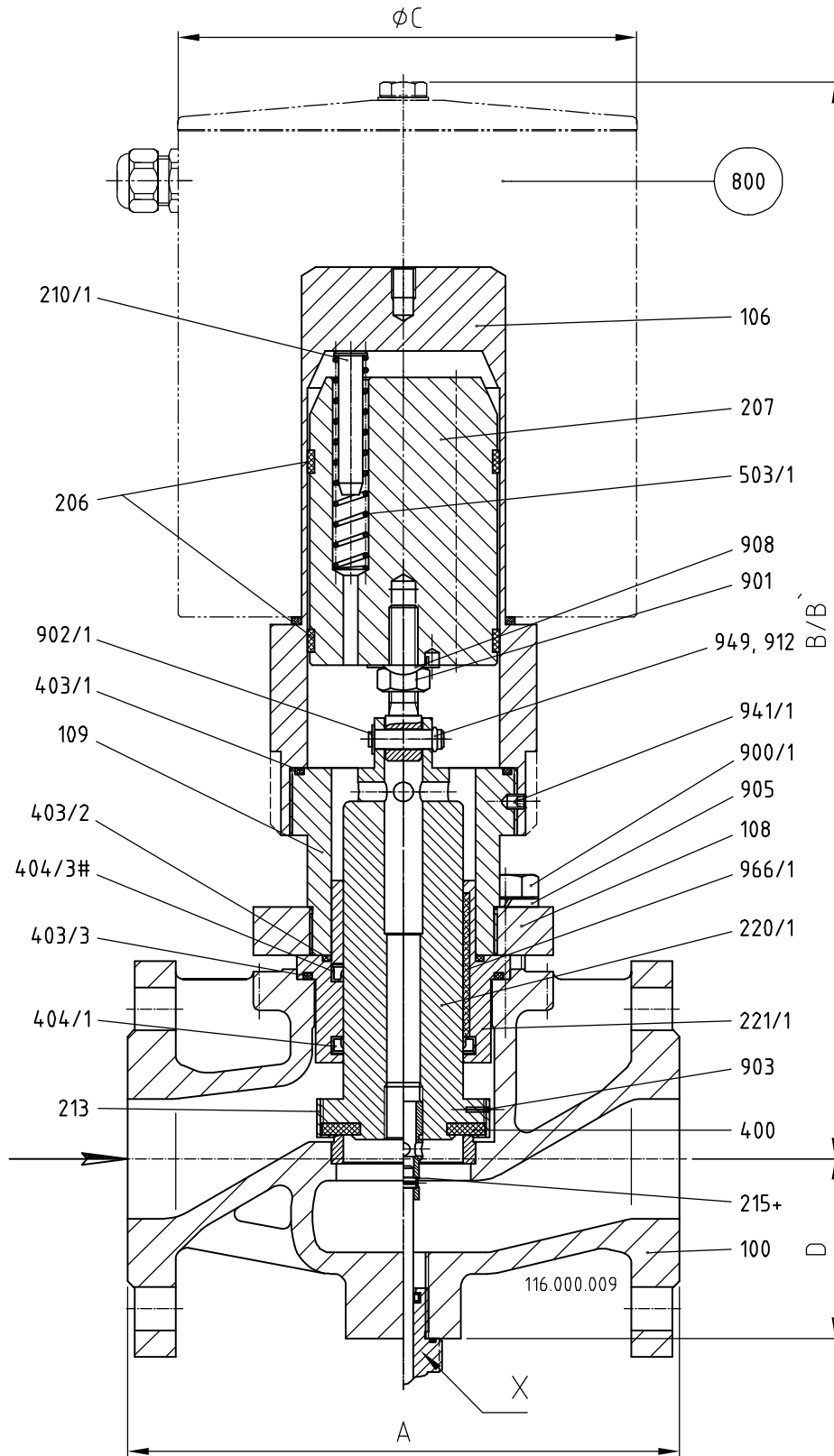
= Spare part kit

**X** = Option limit switch mounting

(...#) only by back pressure

(...x) supplied as a complete unit

Fig. 3 Flange design: 40-EVSA 5NH

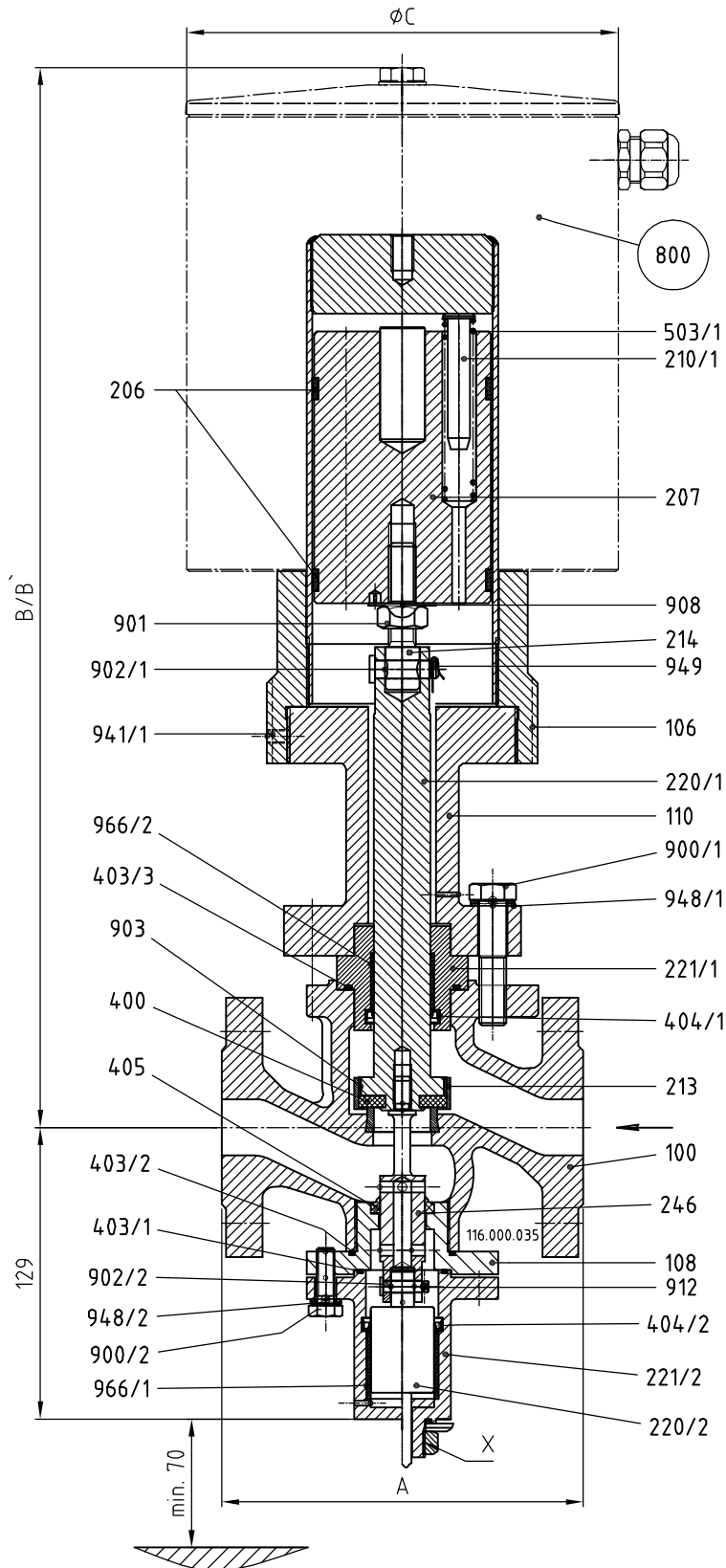


= Spare part

**X** = Option limit switch mounting

(...#) only by back pressure

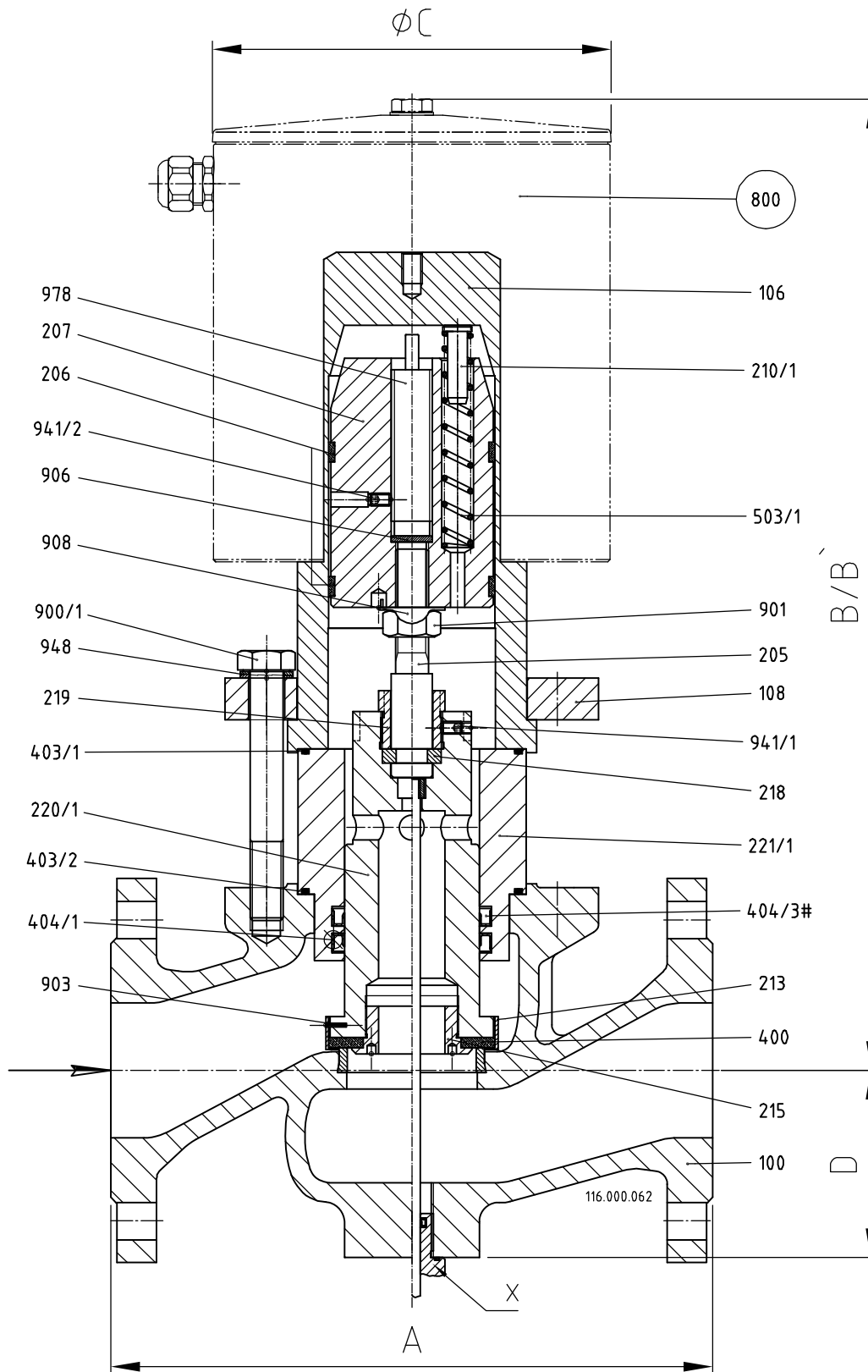
Fig. 4 Flange design: 40-EVSA 10NH

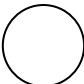


= Spare part

**X** = Option limit switch mounting

Fig. 5 Flange design: 40-EVSA 25NH-4



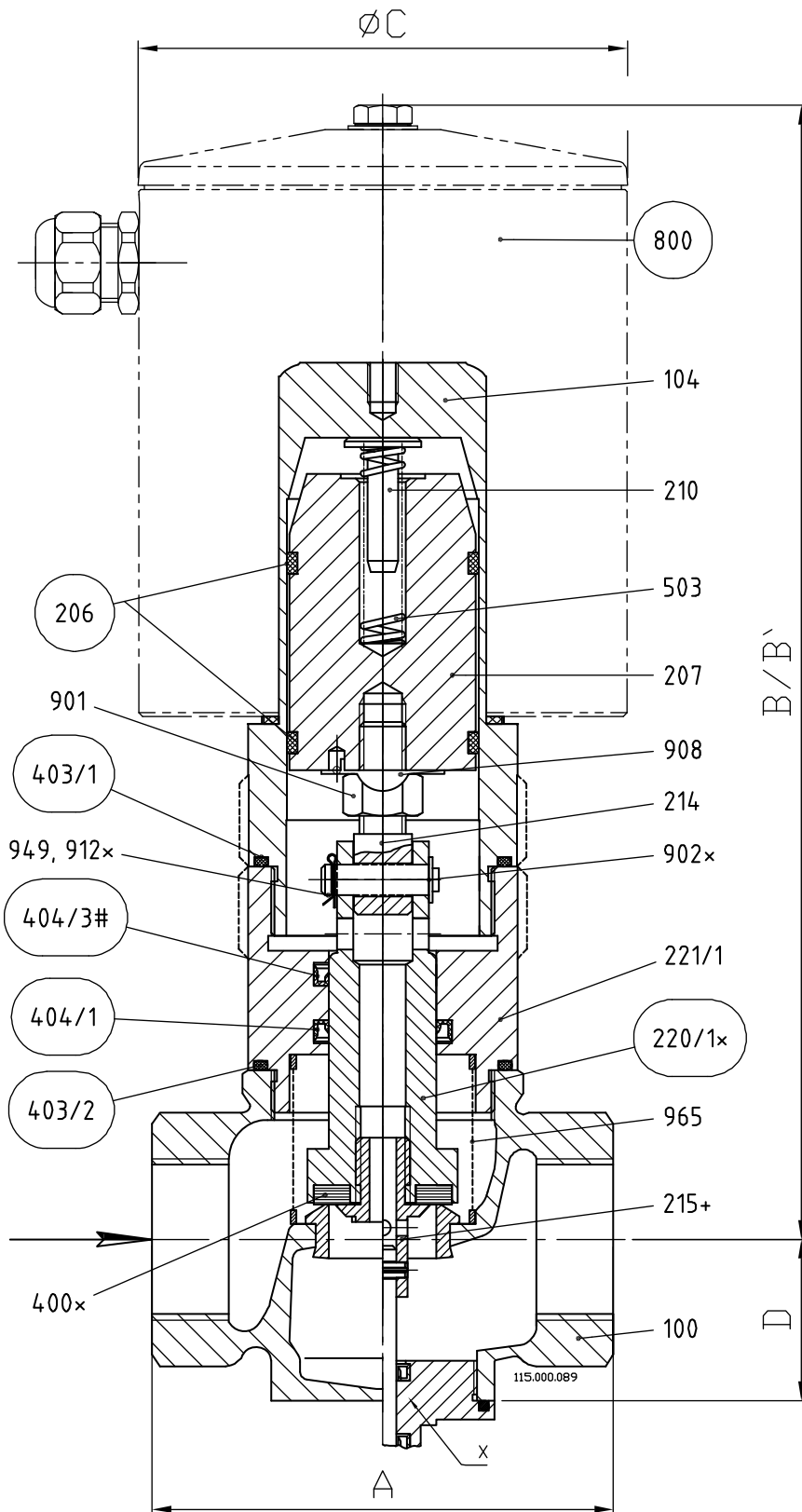
 = Spare part

**X** = Option limit switch mounting

(...#) only by back pressure



Fig. 6 Threaded version: 4/10-EVSA



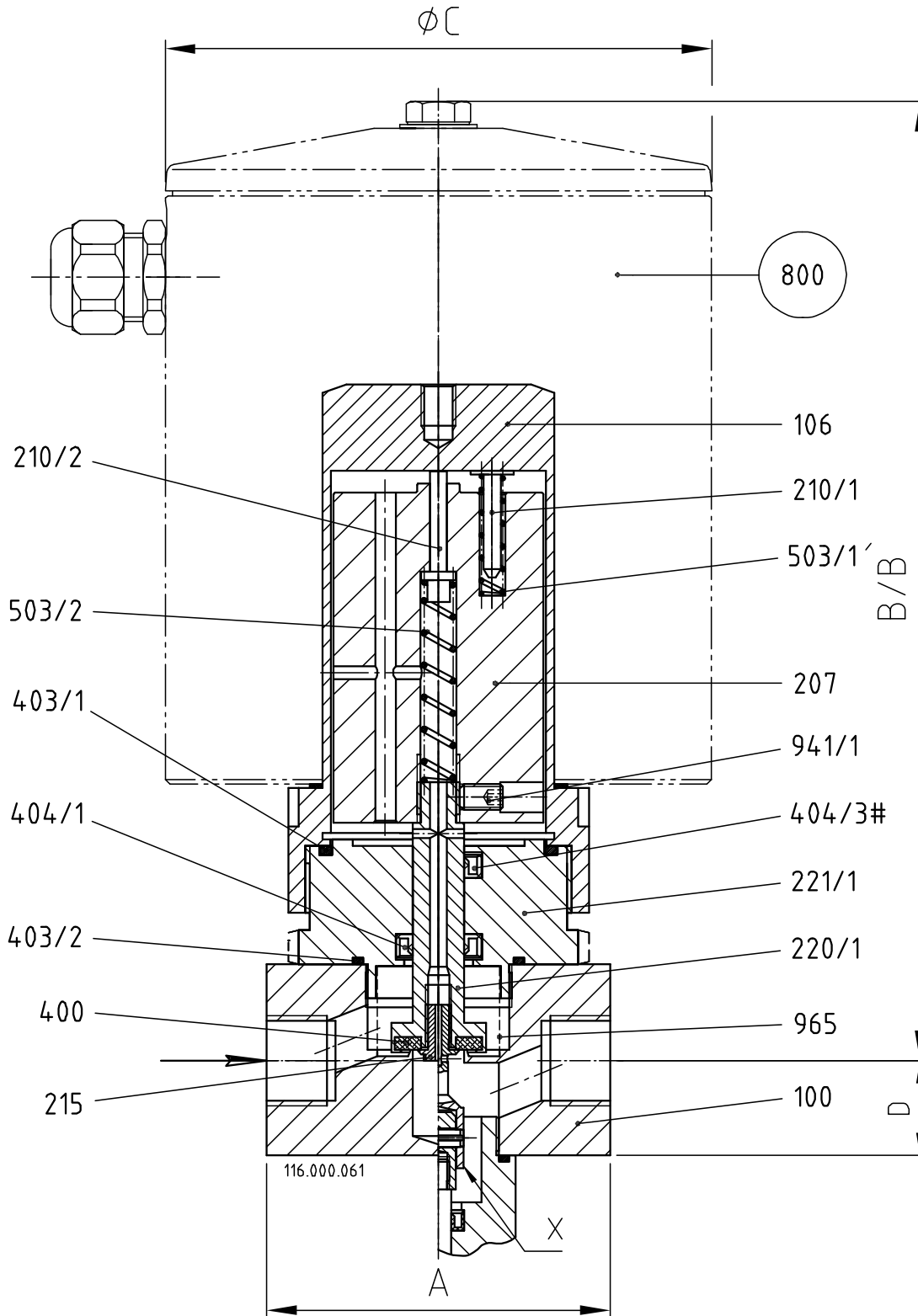
= Spare part kit

(...#) only by back pressure

**X** = Option limit switch mounting

(...x) supplied as a complete unit

Fig.7 Threaded version: 40-EVSA 5-4



= Spare part

**X** = Option limit switch mounting

(...#) only by back pressure

## 11.2 List of parts

Pos./ Item	Stück/ Qty.	Benennung	Description
100	1	Ventilgehäuse	Valve chamber
106	1	Oberteil	Upper part of housing
108	1	Gehäuseflansch	Housing flange
109	1	Gehäusezylinder	Housing cylinder
110	1	Distanzstück	Spacer
205	1	Ventilspindel	Valve spindle
206	2	Führungsring	Guide ring
207	1	Magnetkern	Solenoid core
210/1	1/3	Federbolzen	Spring bolt
210/2	1	Federbolzen	Spring bolt
213	1	Gewinding	Threaded ring
214	1	Ventilstift	Valve pin
215	1	Tellerschraube	Plate screw
218	1	Zweiteiliger Ring	Two-piece ring
220/1	1	Ausgleichskolben	Balance piston
220/2	1	Ausgleichskolben	Balance piston
221/1	1	Kolbenführung	Piston guide
221/2	1	Kolbenführung	Piston guide
246	1	Verbindungsstück Endschalter	Connection piece limit switch
400	1	Ventiltellerdichtung	Valve disc seal
403/1	1	O-Ring	O-ring
403/2	1	O-Ring	O-ring
403/3	1	O-Ring	O-ring
404/1	1/2	Lippenring	Lip-ring
404/2	1	Lippenring	Lip-ring
404/3	1	Lippenring (nur bei Gegendruck)	Lip-ring (only by back pressure)
405	1	Abstreifring	Scraper ring
503/1	1/3	Druckfeder	Pressure spring
503/2	1	Druckfeder	Pressure spring
800	1	Magnet-Antrieb	Solenoid drive
900/1	4/6/8/12	Sechskantschraube	Hex. head screw
900/2	4	Sechskantschraube	Hex. head screw
901	1	Sechskantmutter	Hex. nut
902/1	1	Bolzen	Bolt
902/2	1	Bolzen	Bolt
903	1	Kerbstift	grooved dowel pin
905	4/6/8/12	Federring	Lock washer
908	1	Sicherungsblech	locking plate
912	1	Splint	Split pin
941/1	1	Gewindestift	Setscrew
941/2	1	Gewindestift	Setscrew
948/1	4/6	Nordlockscheibe	Nordlock washer
948/2	4	Nordlockscheibe	Nordlock washer
949	1	SL-Sicherung	SL-retainer
965	1	Filtersieb	Filter sieve
966/1	1	DU-Buchse	DU-bush
966/2	1	DU-Buchse	DU-bush
978	1	Stoßdämpfer ACE	Shock absorber ACE

### Spare parts

Version	Fig.	Type	Spare parts
Flange version	Fig.1	4- EVSA 5N(H) – 150(H) 10- EVSA 5N(H) – 150(H) 16-EVSA 30N(H)	Spare part kit, Solenoid drive (800)
	Fig.2	16- EVSA 10N(H) / 15N(H) 25- EVSA 20N(H)	Spare part kit, Solenoid drive (800)

Version	Fig.	Type	Spare parts
Flange version	Fig.3	40- EVSA 5NH	Solenoid drive (800)
	Fig.4	40- EVSA 10NH	Solenoid drive (800)
	Fig.5	40- EVSA 25NH	Solenoid drive (800)
Thread version	Fig.6	4- EVSA 2 - 7	Solenoid drive (800)
	Fig.6	10- EVSA 3 - 7	Solenoid drive (800)
	Fig.6	10-EVSA 10 - 20	Spare part kit, Solenoid drive (800)
	Fig.7	40- EVSA 5	Solenoid drive (800)

**Dimension with standard solenoid drive**

Connection G	Dimension	1/4*	3/8	1/2	3/4	1	1 1/4	1 1/2	2	
Installation length	A	60	80	80	95	105	120	150	170	
	4/10-EVSA	B	190	220	220	220	260	290	345	380
		B`	240	305	305	310	370	400	495	525
		ØC	83	106	106	106	127	127	153	153
D		22,5	22,5	22,5	21	30	40	50	60	
40-EVSA	B	-	-	210	-	-	-	-	-	
	B`	-	-	330	-	-	-	-	-	
	ØC	-	-	127	-	-	-	-	-	
	D	-	-	22,5	-	-	-	-	-	

\* G1/4 only in 4-EVSA...-design

Flange DN	Dimension	15	20	25	32	40	50	65	80	100	125	150
Installation length	A <sup>1)</sup>	130	150	160	180	200	230	290	310	350	400	480
	Flange ANSI	Dimension	1/2"	3/4"	1"	1 1/4"	1 1/2"	2"	2 1/2"	3"	4"	6"
Installation length	A <sup>2)</sup>	108	118	127	140	165	203	216	241	292	-	406
	4-EVSA	B	240	240	290	320	370	375	430	440	470	510
B`		320	320	385	425	500	520	590	600	630	670	710
ØC		106	106	127	127	153	153	194	194	194	194	194
D		50	50	55	68	68	75	90	110	143	151	167
10-EVSA	B	290	290	290	320	370	375	430	440	470	510	550
	B`	385	385	385	425	500	520	590	600	630	670	710
	ØC	127	127	127	127	153	153	194	194	194	194	194
	D	50	50	55	68	68	75	90	110	143	151	167
16-EVSA	B	-	-	460	-	480	-	-	440	-	-	-
	B`	-	-	620	-	640	-	-	600	-	-	-
	ØC	-	-	194	-	194	-	-	194	-	-	-
	D	-	-	55	-	68	-	-	110	-	-	-
25-EVSA	B	-	-	-	-	-	450	-	-	-	-	-
	B`	-	-	-	-	-	610	-	-	-	-	-
	ØC	-	-	-	-	-	194	-	-	-	-	-
	D	-	-	-	-	-	75	-	-	-	-	-
40-EVSA	B	460	-	469	-	-	-	470	-	-	-	-
	B`	620	-	620	-	-	-	630	-	-	-	-
	ØC	194	-	194	-	-	-	194	-	-	-	-
	D	50	-	-	-	-	-	90	-	-	-	-

A<sup>1)</sup> = Dimension at DIN (resp. flanges ANSI and dimension DIN or flanges and dimension at DIN)  
Dimension at ANSI (see data sheet on our website armature installation length 225.100. 026)

B` = Dimension for removing the solenoid drive

Dimension B and diameter C change for solenoid drives for explosion-proof zone 1.  
Please observe the dimensions of the attached relay combination for drives with "A1, A2, A3" in the type designation.

## 12.0 Declaration of Conformity

UNI-Geräte E. Mangelmann  
Elektrotechnische Fabrik GmbH  
Holtumsweg 13  
D – 47652 Weeze



# EU

## Konformitätserklärung Declaration of Conformity


<b>Produkt / Product</b>	<b>Automatisches Absperrventil - stromlos geschlossen / Automatic shut off valve - current less closed</b>		
<b>Handelsbezeichnung / Trade Mark</b>	<b>Magnetventil / Solenoid valve</b>		
<b>Baureihe / Series</b>	...EVSA...		
<b>Nennweiten / Size</b>	DN 8 <sup>a)</sup> / 10 <sup>a)</sup> / 15 <sup>a)</sup> / 20 <sup>a)</sup> / 25 <sup>a)</sup> / 32 <sup>a);b)</sup> / 40 <sup>a);b)</sup> / 50 <sup>a);b)</sup> / 65 <sup>a);b)</sup> / 80 <sup>a);b)</sup> / 100 <sup>a);b)</sup> / 125 <sup>a);b)</sup> / 150 <sup>a);b)</sup> / 200 <sup>b)</sup> / 250 <sup>b)</sup> / 300 <sup>b)</sup> / 350 <sup>b)</sup> / 400 <sup>b)</sup>		
<b>Druckstufe / Pressure Stage</b>	PN 10 <sup>a);b)</sup> / 16 <sup>a);b)</sup> / 25 <sup>a);b)</sup> / 40 <sup>a);b)</sup> / 63 <sup>b)</sup> / 100 <sup>b)</sup> / 160 <sup>b)</sup>		
<b>Fluidgruppe / Fluid Group</b>	Brennbare Gase, FL. Gr.1 / Flammable gases, FL. Gr.1		
<b>EU - Richtlinien / EU - Directives</b>	EU/2016/426 <sup>a)</sup> Gasgeräteverordnung / Gas Appliance Regulation 2014/68/EU <sup>b)</sup> Druckgeräterichtlinie / Pressure Equipment Directive		
<b>Konformitätsbewertungsverfahren / Conformity Assessment Procedure</b>	Modul B + D - EU/2016/426 <sup>a)</sup> ; Modul H - 2014/68/EU <sup>b)</sup>		
<b>Angewandte technische Spezifikation / Applied Technical Specification</b>	DIN EN 161:2013-04; DIN EN 16678:2016-02; DIN EN 13611:2016-09; AD 2000 <sup>b)</sup>		
<b>EG-Baumusterprüfung / EC-Type Examination</b>	CE-0085AR0256 <sup>a)</sup> DVGW CERT GmbH Josef-Wirmer-Str. 1-3 D-53123 Bonn Zertifizierungsstelle / Notified Body 0085	EU/2016/426	Modul B
<b>Überwachungsverfahren / Surveillance Procedure</b>	SE-0085BL7038 <sup>a)</sup> DVGW CERT GmbH Josef-Wirmer-Str. 1-3 D-53123 Bonn Zertifizierungsstelle / Notified Body 0085	EU/2016/426	Modul D
	CE-0062-PED-H-UGM 001-20-DEU <sup>b)</sup> Bureau Veritas Services SAS 8 Cours du Triangle 92800 PUTEAUX – LA DEFENSE Zertifizierungsstelle / Notified Body 0062	2014/68/EU	Modul H
<b>Kennzeichnung / Marking</b>	CE - 0085 <sup>a)</sup> / 0062 <sup>b)</sup> oder/oder CE - 0085 <sup>a)</sup> oder/oder CE - 0062 <sup>b)</sup>		

Das Unternehmen UNI Geräte E. Mangelmann Elektrotechnische Fabrik GmbH erklärt in alleiniger Verantwortung, dass die o.a. Baureihe die grundsätzlichen Anforderungen der aufgeführten Richtlinien und Normen erfüllt.

UNI Geräte E. Mangelmann Elektrotechnische Fabrik GmbH confirms under the sole responsibility of the manufacturer, that the basic requirements of the above specified directives and standards are fulfilled.

Weeze, 14.05.2020

Ort und Datum / place and date

  
Geschäftsführer / Managing Director  
Norbert Schneider

<sup>a);b)</sup> Anwendung in Abhängigkeit von Nennweite und / oder Druckstufe: / Application depending on size and / or pressure stage: DN < 25 und / oder PS < 0,5bar siehe Diagramm 6, oder Kat.1 + erfasst von EU/2016/426, fallen nicht in den Anwendungsbereich der 2014/68/EU  
DN < 25 and / or PS < 0,5bar see diagram 6, or Kat.1 + under the scope of EU/2016/426, are not covered by the scope of the EC-Directive 2014/68/EU  
250.100.002-03